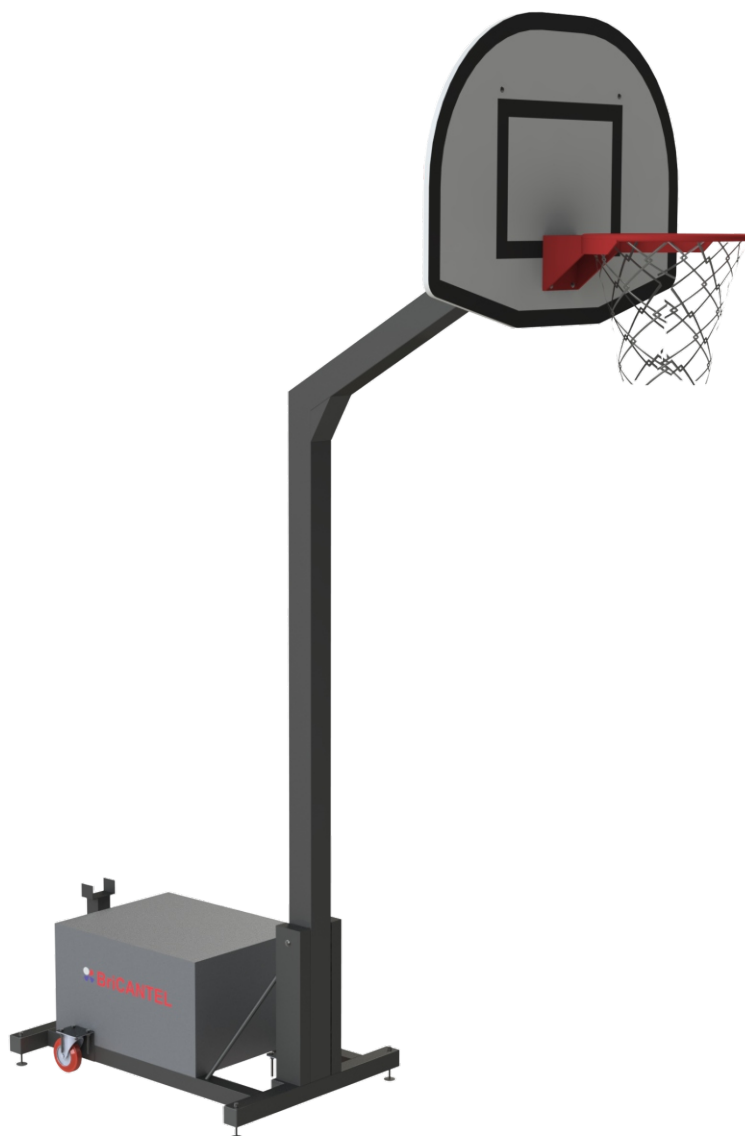


# Basketball Hoop Removable and Adjustable

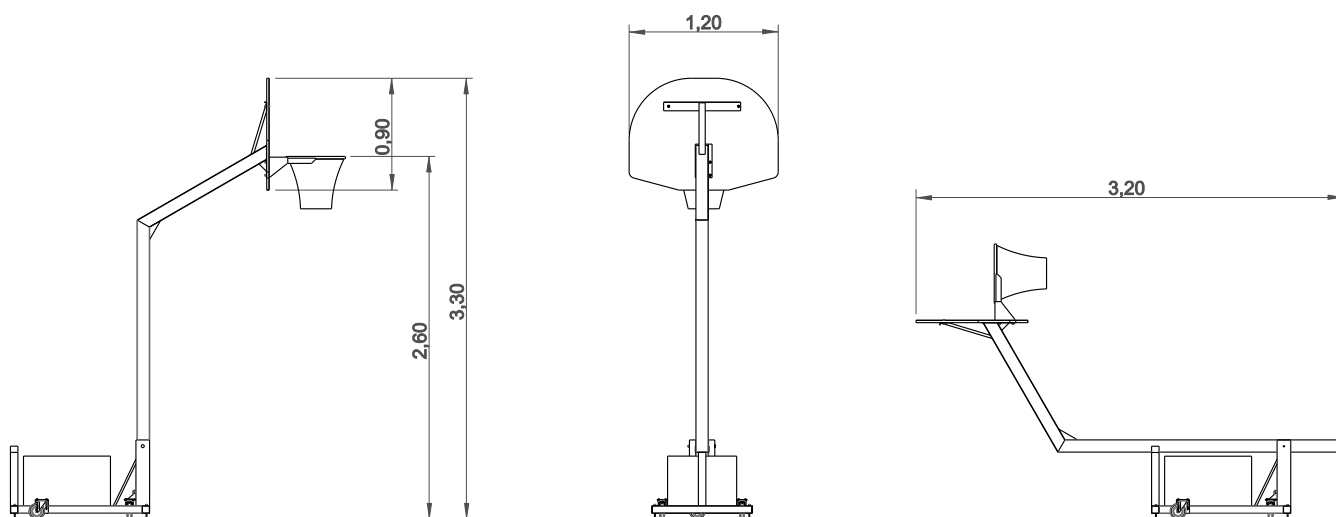
ref. BR018/5



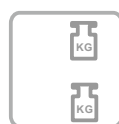
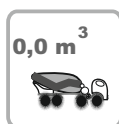
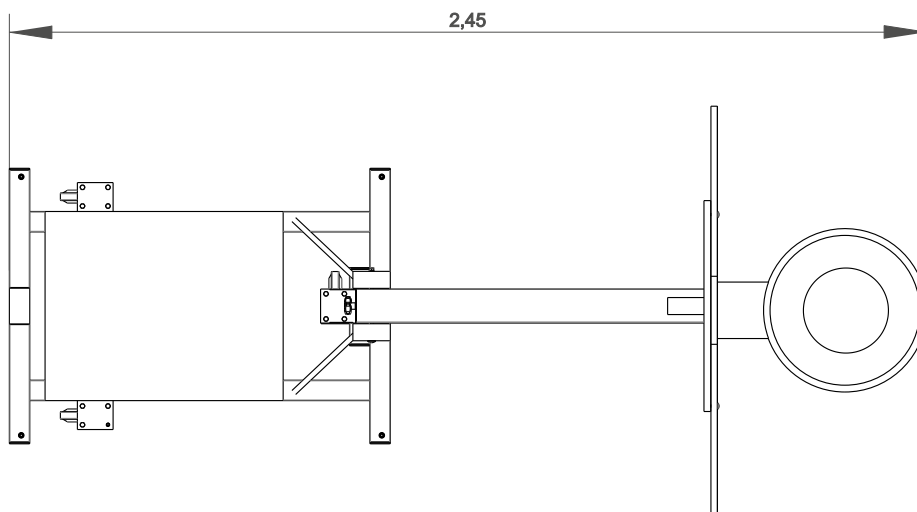
bragmaia®



Data Sheet

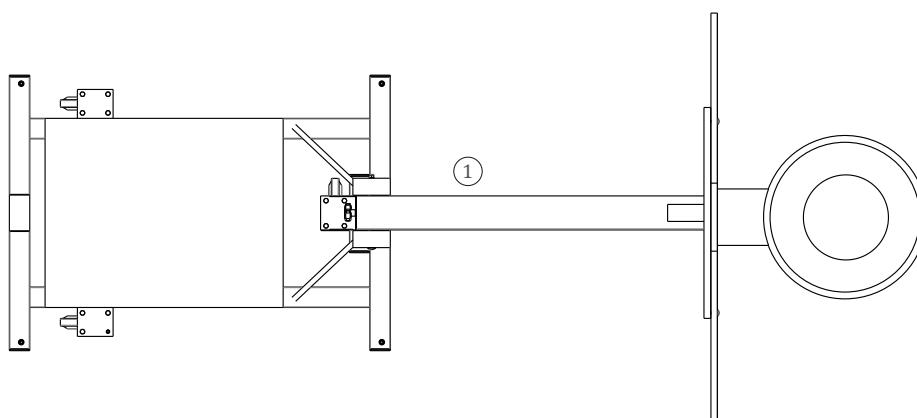


# Equipment Information:



# Technical Information:

1 - Basketball Hoop Removable and Adjustable



# Technical Characteristics:



**bragmaia**<sup>®</sup>

## **Basketball Hoop**

**HDPE:** Monocolour/bicolour high density polyethylene. It is a polymer so it is characterized by its resistance to corrosion and chemical products. By its capacity of elasticity and lightweight, it offers high resistance to impacts, and, therefore, very difficult to break. The synthetic base prevents grow of bacterias and fungus. No need for maintenance;

**Net:** High density Nylon mesh;

**Wheels:** Rubber coated high strength non-marked prepared for use in all types of sports floors;

## **Metal Parts**

**Structure:** Galvanized steel according to EN 10025-2, class S235JR / S275JO.

Anti corrosion hot dip galvanization treatment according to EN ISO 1461.

**Fixation System:** It is made by gravity using as base a balance of concrete;

## **Screws and accessories**

**Screws:** Galvanized steel or optionally stainless steel AISI 304;

**Option:** Steel electrozinc and gel type lacquer at 230 ° C with thickness ranging from 50 to 70µm, according to the UNE EN ISO 2808;



100% recyclable;