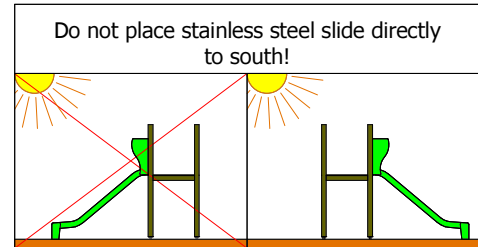
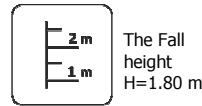
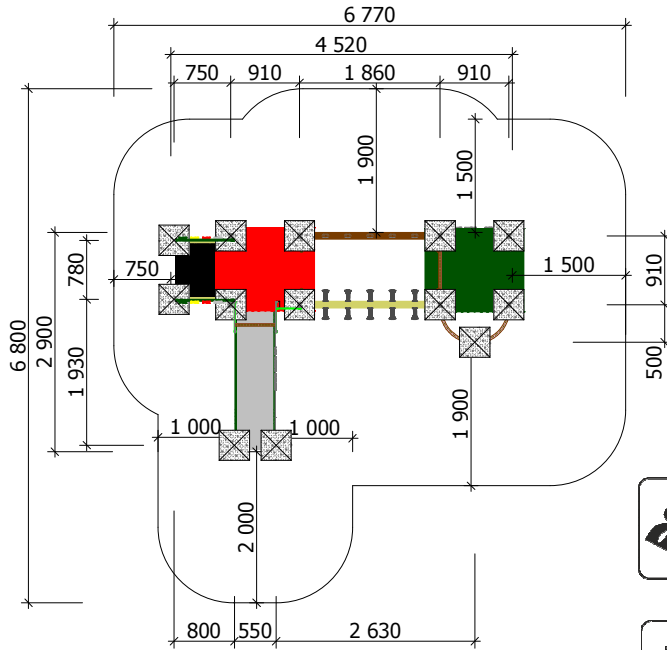




Construction is made from glued wood, galvanized steel and HDPE.



Equipment safety checkings must be performed once in a week in high vandalism risk areas.

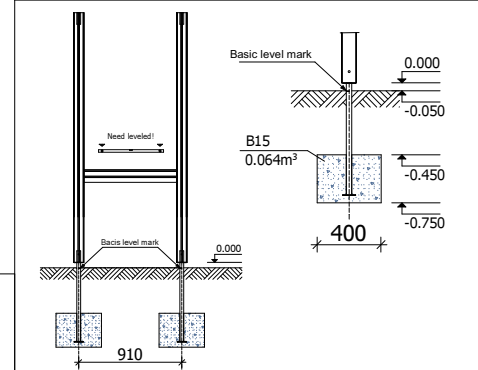
Maintenance is required once in every 3 months, depending on usage

Minimal required area - 36 m²

Length: 4 520 mm
Width: 2 900 mm
Height: 3 050 mm

Playground is intended for outdoor use under supervision of adults

Length of safety area: 6 770 mm
Width of safety area: 6 800 mm
Required safety area: 36 m²



Playground equipment steel foundation is concreted in the ground at the planned location. The equipment can be used after two days when the concrete becomes solid. During assembly no children are allowed in the area.

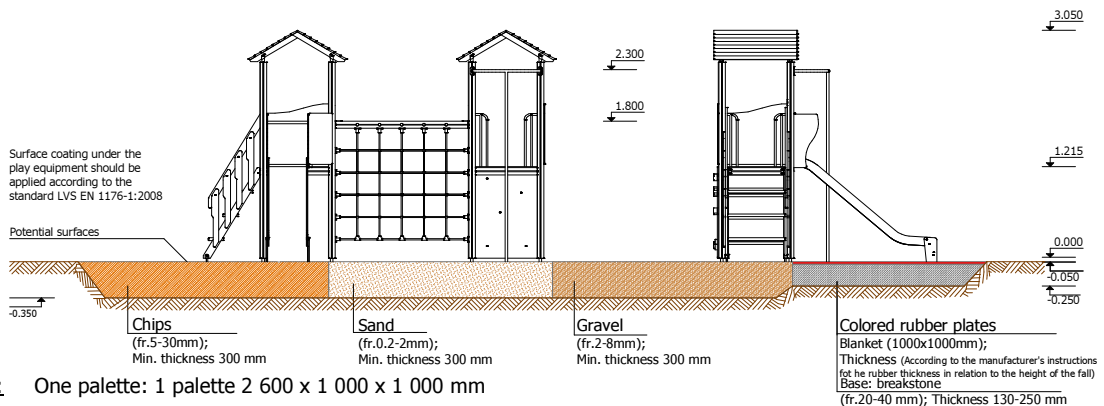
Temperature
T_{min} -33.2 °C
T_{max} +52 °C



Snow load
1.22 kN/m²



Wind load
Stiprums 520 N



Transportation: One palette: 1 palette 2 600 x 1 000 x 1 000 mm

Spare parts: All needed spare parts and elements, when warranty time expires can be ordered in „Jūrmalas Mežaparki” Ltd., and all the goods will be ready for delivery in 5 work days.

According to LVS EN 1176:2008

Manufactured according to:

