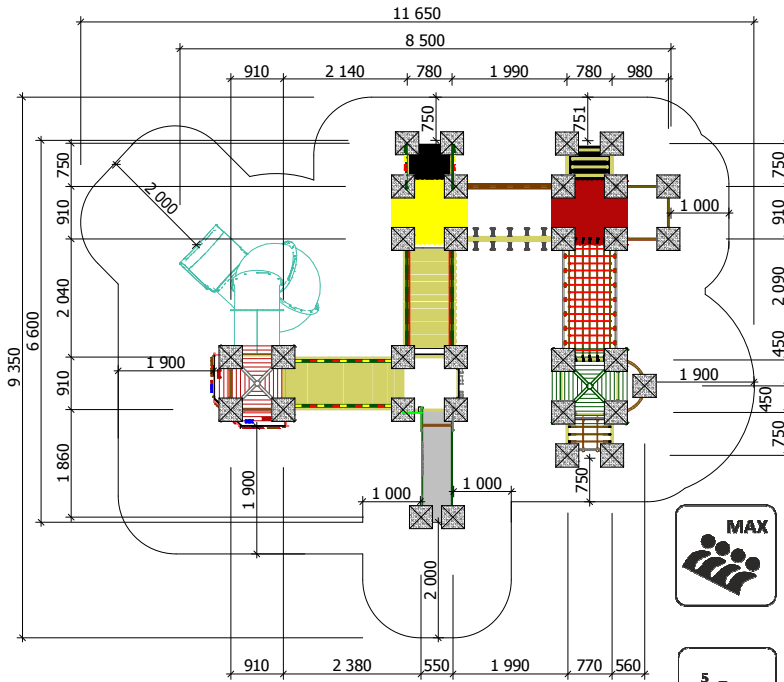




Construction are made from glued wood, galvanized steel and HDPE.



MAX
55 children

AGE
5 - 14
Children from 5 - 14 years

2 m
1 m
The Fall height
H=2.00 m

KG
Weight
1350 kg

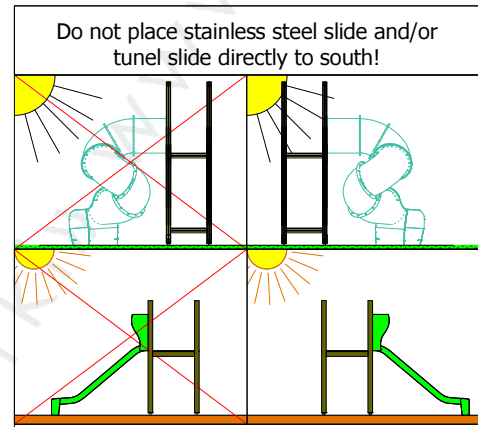
h
Assembly
24 h
(without excavation and concreting)

Minimal required area - 80 m²

Lenght: 8 500 mm
Width: 6 600 mm
Height: 3 980 mm

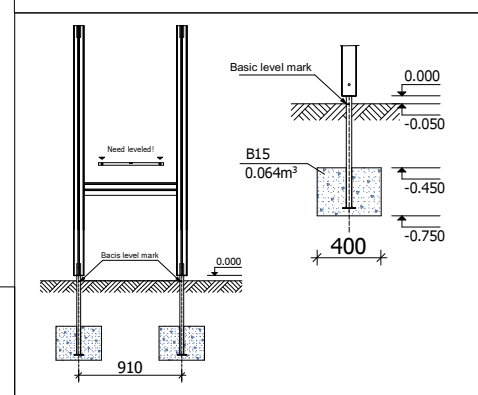
Playground are provided for outdoor use in supervising of adults

Lenght of safety area: 11 650 mm
Width of safety area: 9 350 mm
Required safety area: 80 m²



Equipment safety checkings must be performed once in a week in high vandalism risk areas.

Maintainance are required once in every 3 months, depending on usage

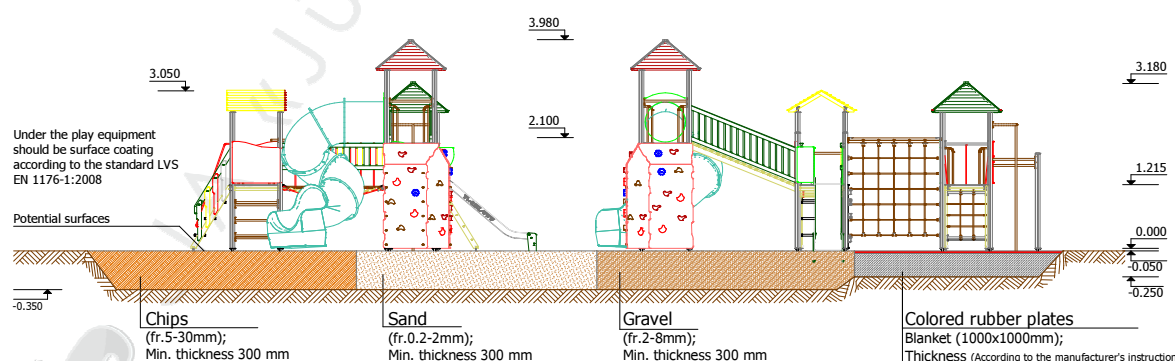


Play equipment are established with concreted steel foundation in equipment location. Equipment are suitable for use in two days after concreting, when the foundation are totally solid. During assambling there are not children allowed in area.

Adequate temperature
T_{zemākā} -33.2 °C
T_{augstākā} +64.1 °C

Snow load
1.22 kN/m²

Wing load
Stiprums 526 N



Transportation: Three palettes: 1 palette 2 600 x 1 000 x 1 000 mm - tunnel slide
1 palette 3 400 x 1 000 x 500 mm
1 palette 2 600 x 1 000 x 1 000 mm

Spare parts: All needed spare parts and elements, when warranty time expires can be ordered in „Jūrmalas Mežaparki” Ltd., and all the goods will be ready for delivery in 3 days.

According to LVS EN 1176:2008

Manufactured according to:

