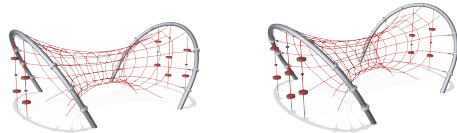
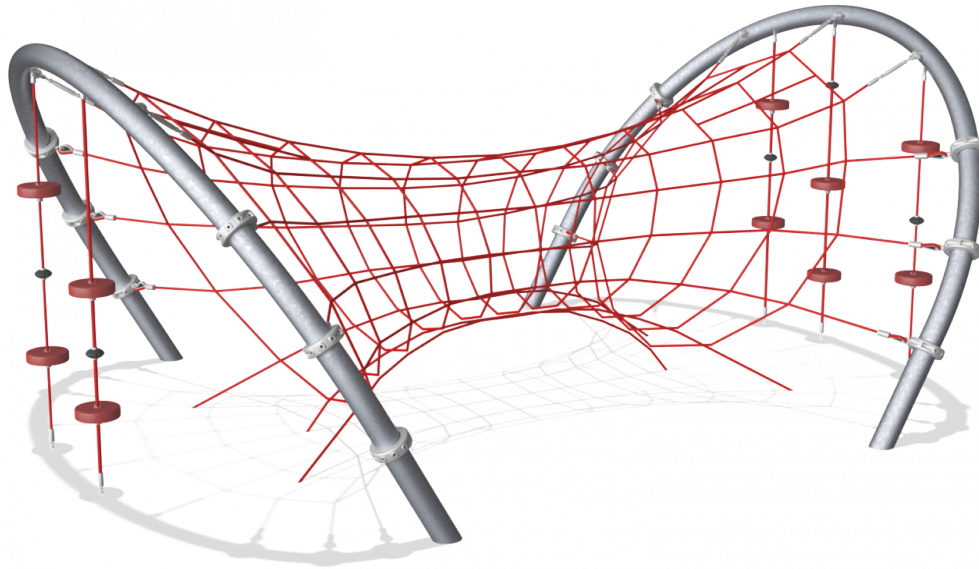


# COR20600 Arch Tunnel



The Arc Tunnel is a three dimensional wobbly climbing structure with remarkable, rounded steel posts to carry the net. The Arc Tunnel offers hours of play for numerous children and adults alike with its vertical as well as horizontal climbing. The structure is a great place for sitting, standing or lying which allows everyone to play together. The play ropes with rubber seats allows for groups socializing while gently swaying on the ropes. The spacious surface allows for many users. And the transparency makes socializing possible throughout the net possible. While climbing up, around and through the Arc Tunnel, children's physical skills are supported: their balance, muscle strength and cross coordination are trained. These are all skills important for e.g. sitting still, concentrating. Or for navigating traffic safely.

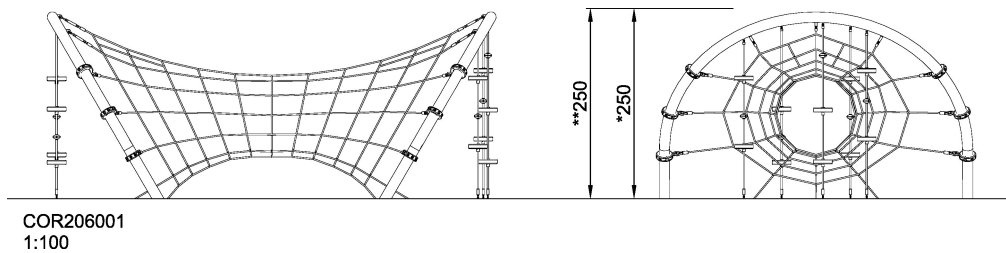
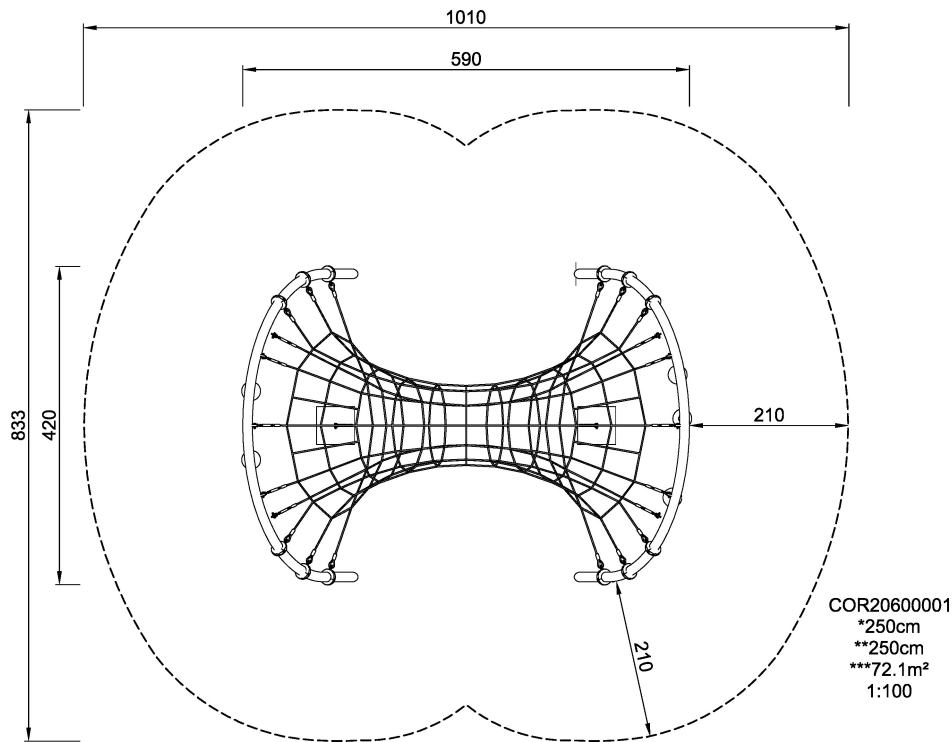
<b>Product Line</b>	Corocord™ rope playground
<b>Category</b>	Domes & Arches
<b>Age group</b>	5+
<b>Max. fall height (CM)</b>	250
<b>Total height (CM)</b>	250
<b>Safety Zone</b>	72.1 m2



IN-  
GROU.



ASTM



\* = Highest designated play surface.  
\*\* = Total height of product.

<b>Weight/heaviest parts</b>	kg.	<b>Installation (Manpower)</b>	Persons
<b>Concrete required</b>	NaN m3	<b>Installation (Hours)</b>	Hours
<b>Foundation amount/footing</b>	NaN	<b>Excavation</b>	NaN m3