

The responsive, bouncy ropes and nets of the Dragite attracts children hugely. The varied climbing and meeting options make them want to come back again and again. The transparency of the nets make possible communication across the net. The symmetry of the net cubes supports climbing for younger or less confident climbers, and variation for all. The side ropes function as meeting and retraction spots in the climbing landscape and make possible hanging in arms, training upper body muscles. This is important to children today, as they lead increasingly sedentary life stiles. Concentration is needed when climbing, as the ropes are interconnected and reflect the movements of all climbers, throughout the net. This trains the muscles, cross-body coordination and spatial awareness, important for security in motion.

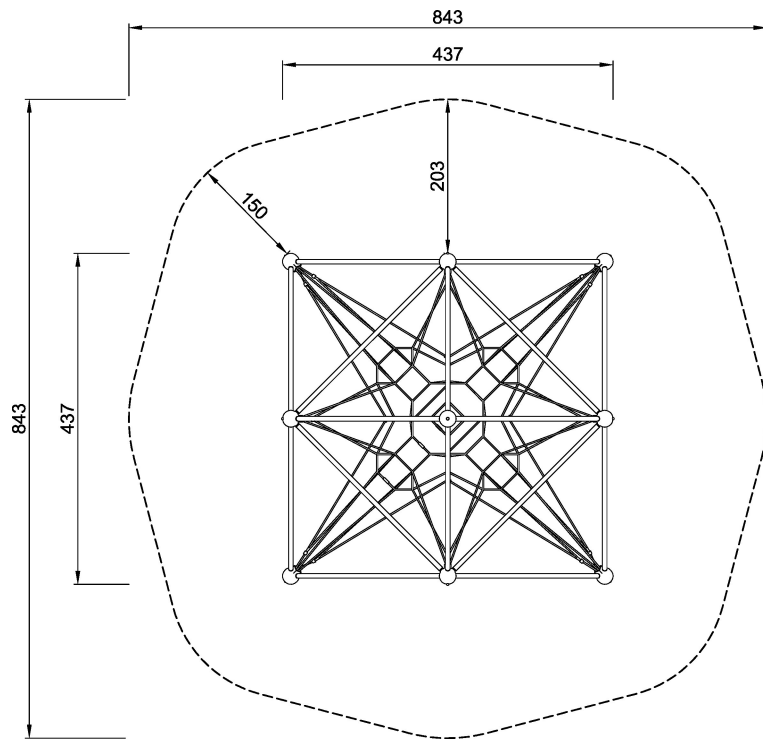
| | |
|------------------------------|---------------------------|
| Product Line | Corocord™ rope playground |
| Category | Frame Nets |
| Age group | 3+ |
| Max. fall height (CM) | 230 |
| Total height (CM) | 436 |
| Safety Zone | 57.4 m2 |



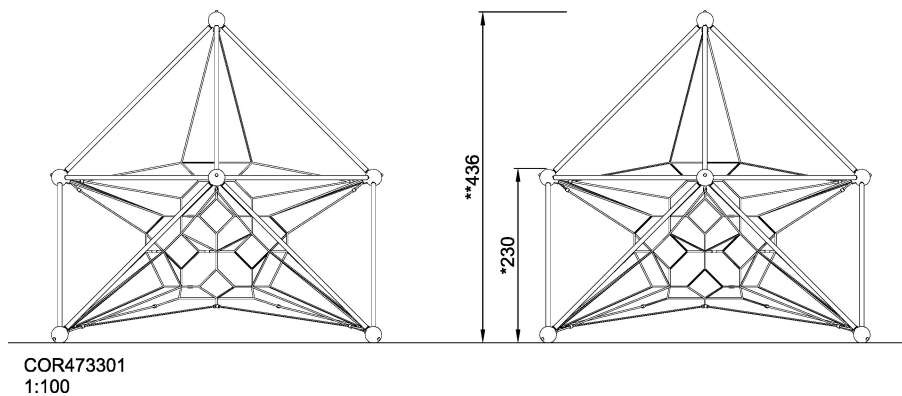
**SUR-
FACE**



ASTM



COR473301
*230cm
**436cm
***57.4m²
1:100



* = Highest designated play surface.
** = Total height of product.

| | | | |
|----------------------------------|--------------------|--------------------------------|--------------------|
| Weight/heaviest parts | kg. | Installation (Manpower) | Persons |
| Concrete required | NaN m ³ | Installation (Hours) | Hours |
| Foundation amount/footing | NaN | Excavation | NaN m ³ |