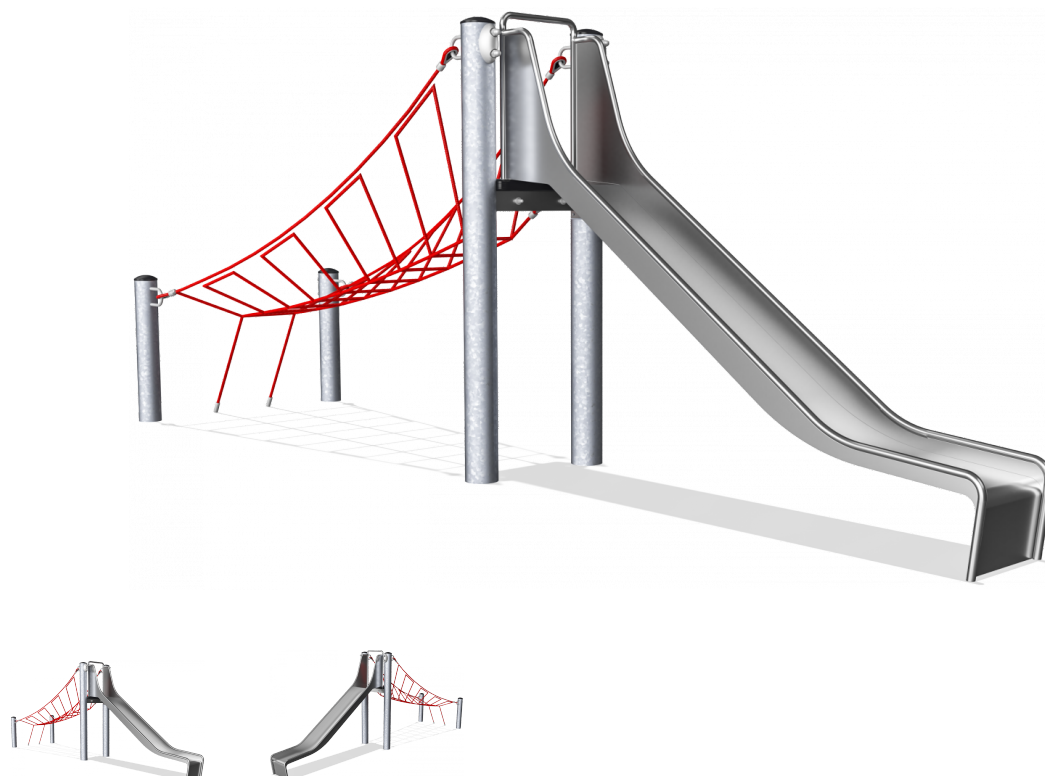


COR66900

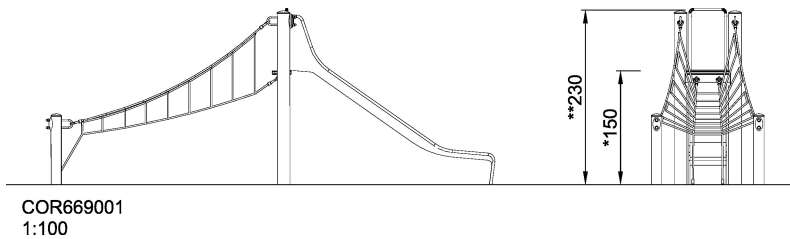
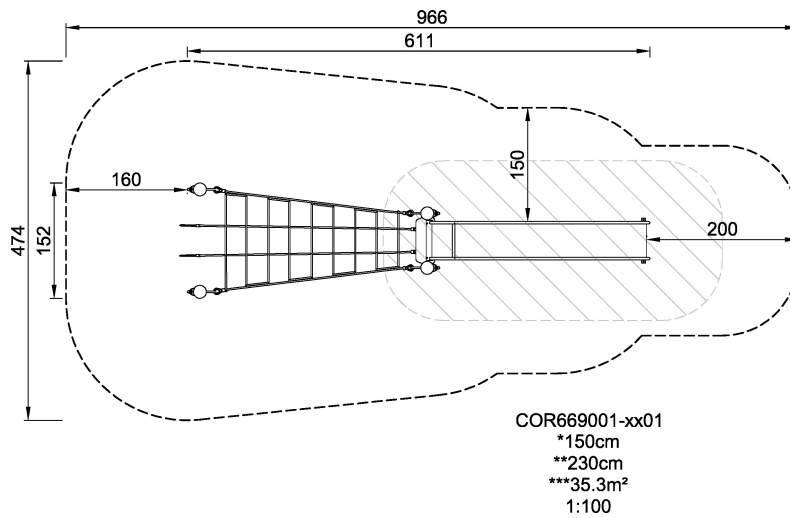
Freestanding Slide, 1.5 m



The slide entrance can be reached along a swaying Rope Net Bridge - making the route to the slide a place to practice the art of balancing.

Product Line	Corocord™ rope playground
Category	Dynamics
Age group	5+
Max. fall height (CM)	150
Total height (CM)	230
Safety Zone	35.3 m ²





* = Highest designated play surface.
** = Total height of product.

Weight/heaviest parts	kg.	Installation (Manpower)	Persons
Concrete required	NaN m ³	Installation (Hours)	Hours
Foundation amount/footing	NaN	Excavation	NaN m ³