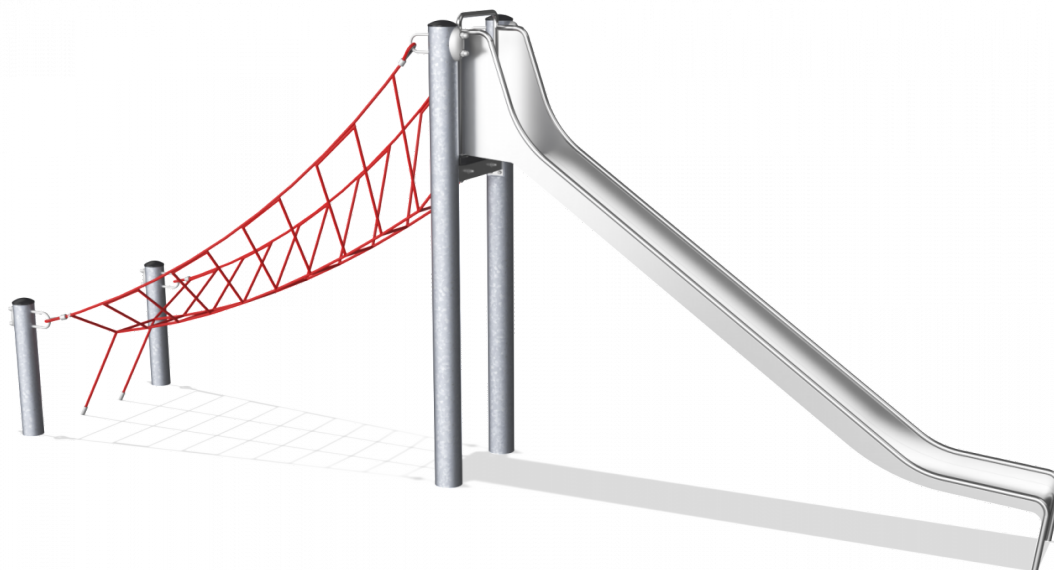


COR66910

Freestanding slide, 2.0 m

KOMPAN[®]
Let's play



The slide entrance can be reached along a swaying Rope Net Bridge - making the route to the slide a place to practice the art of balancing.

Product Line	Corocord™ rope playground
Category	Dynamics
Age group	5+
Max. fall height (CM)	200
Total height (CM)	280
Safety Zone	40.6 m ²



BALANCE

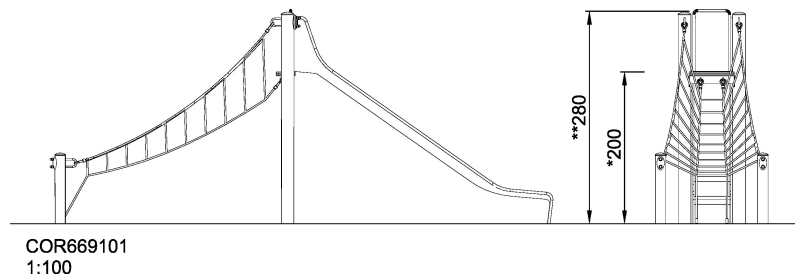
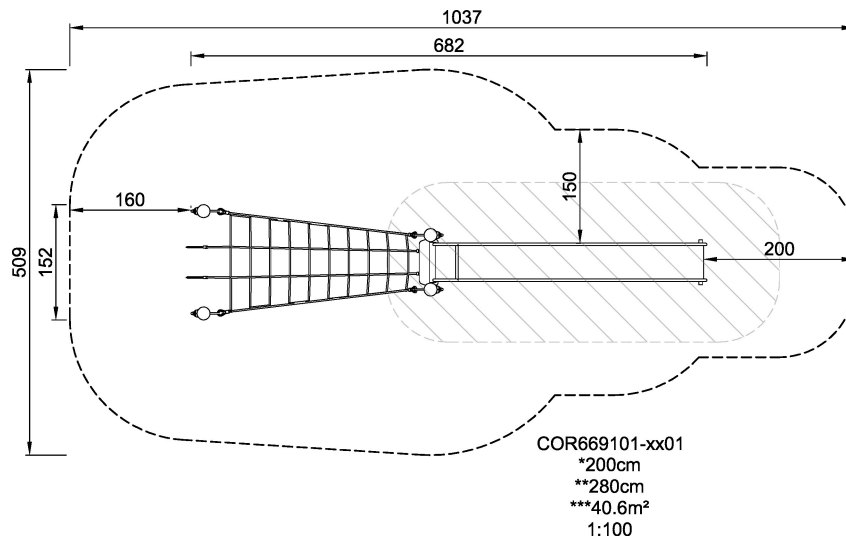


CLIMB



SLIDE





* = Highest designated play surface.
 ** = Total height of product.

Weight/heaviest parts	kg.	Installation (Manpower)	Persons
Concrete required	NaN m3	Installation (Hours)	Hours
Foundation amount/footing	NaN	Excavation	NaN m3