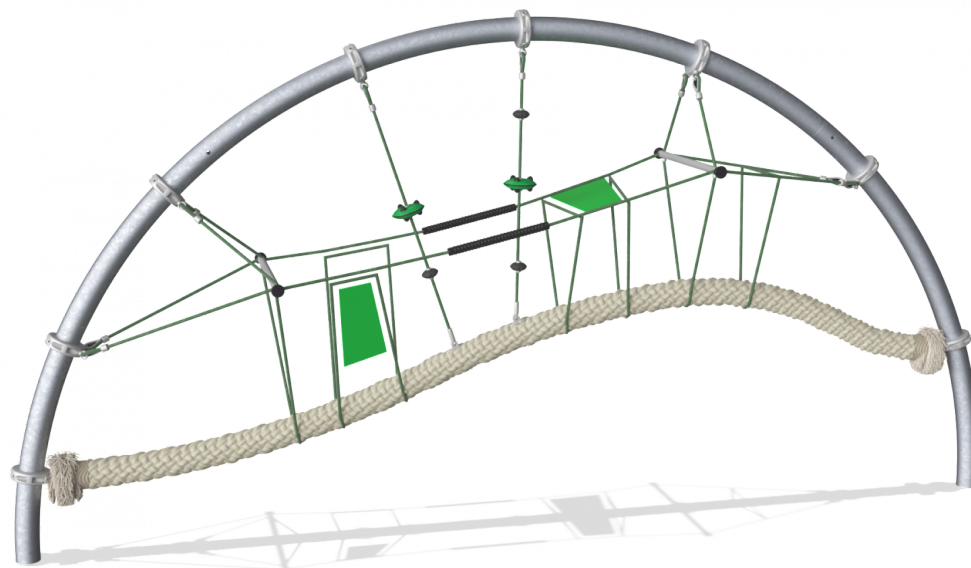


# COR82300

## Explorer Arch



The Explorer Arch attracts children immensely with its climbing fun in two levels. The versatile climbs in the narrow frame make children want to try it again and again. The sturdy coconut rope is an excellent trim trail in its own right, training important motor skills such as balance and spatial proprioception. These are fundamental for e.g. being able to sit still. The higher level climbing and seating points with the wonderfully bouncy ropes and turning UFO's on ropes train all muscle groups as children cling onto them when climbing or passing. The narrow passage points train important social-emotional skills such as consideration of others and turn-taking. The upper rungs, UFO's and membranes make nice destinations for a bouncy or swaying break and a chat with a view. All in all, the Explorer Arch is a lot of fun, varied play for a lot of children.

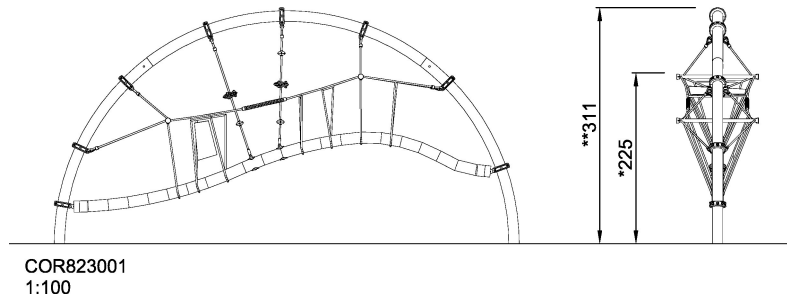
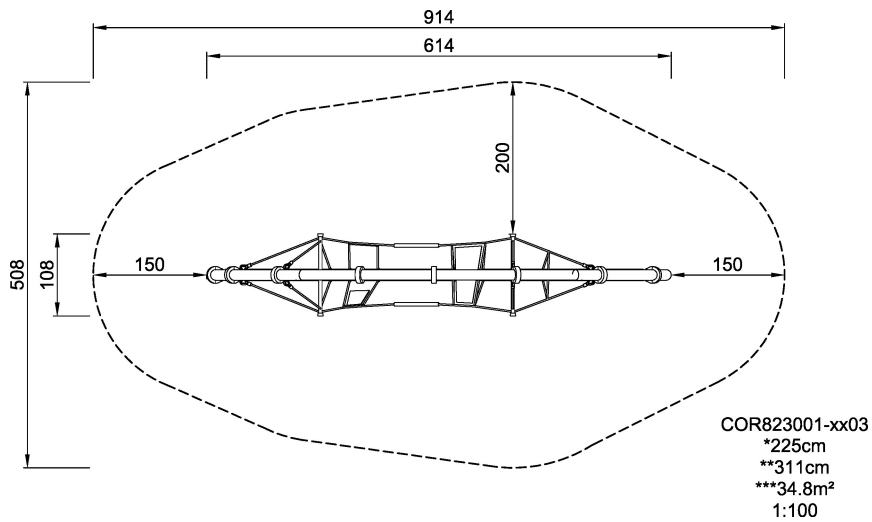
<b>Product Line</b>	Corocord™ rope playground
<b>Category</b>	Domes & Arches
<b>Age group</b>	5+
<b>Max. fall height (CM)</b>	225
<b>Total height (CM)</b>	311
<b>Safety Zone</b>	34.8 m2



**SUR-  
FACE**



**ASTM**



\* = Highest designated play surface.  
\*\* = Total height of product.

<b>Weight/heaviest parts</b>	kg.	<b>Installation (Manpower)</b>	Persons
<b>Concrete required</b>	NaN m <sup>3</sup>	<b>Installation (Hours)</b>	Hours
<b>Foundation amount/footing</b>	NaN	<b>Excavation</b>	NaN m <sup>3</sup>