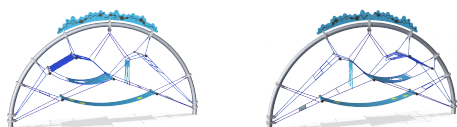
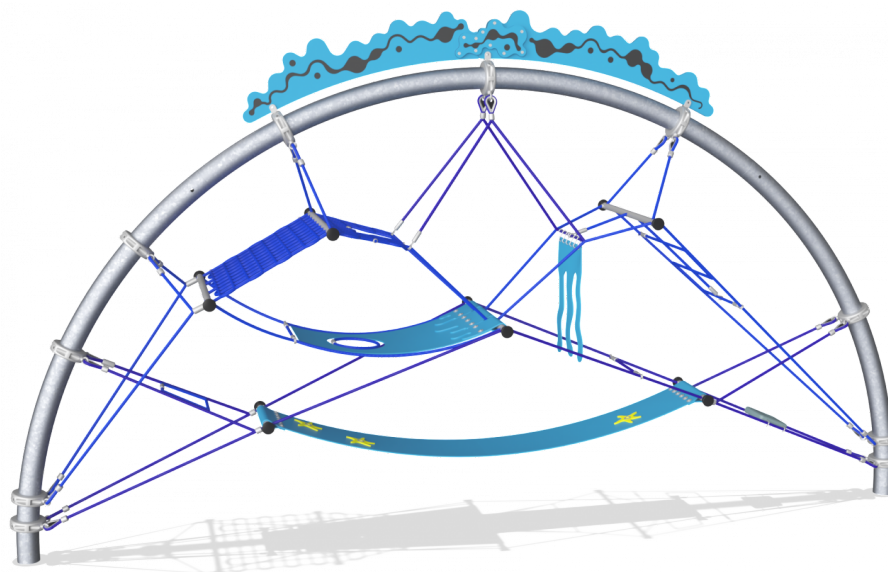


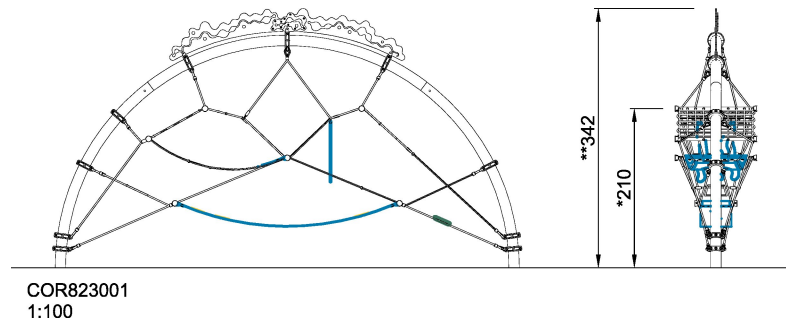
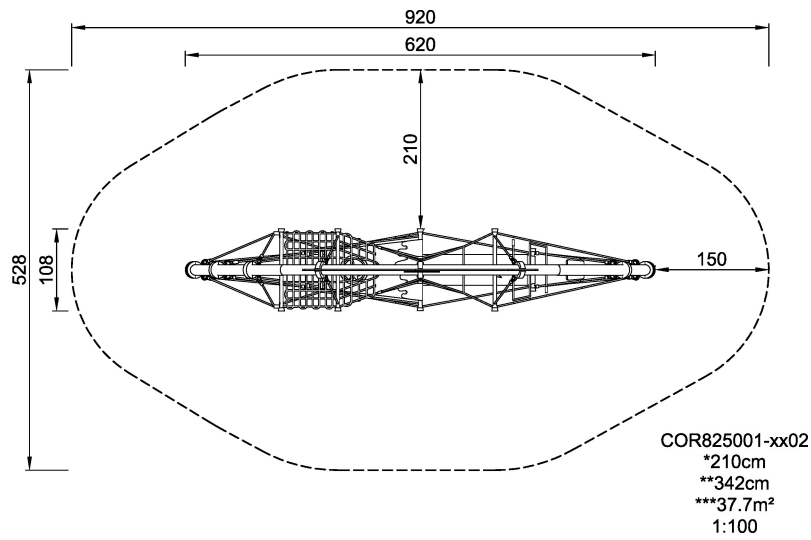
COR82500 Ocean Arch



The Ocean Arch is the perfect alternative to the Ocean Dome when smaller footprint is required.

Product Line	Traditional Play
Category	Climbing structures & nets
Age group	5+
Max. fall height (CM)	210
Total height (CM)	342
Safety Zone	37.7 m ²





* = Highest designated play surface.
** = Total height of product.

Weight/heaviest parts	kg.	Installation (Manpower)	Persons
Concrete required	NaN m3	Installation (Hours)	Hours
Foundation amount/footing	NaN	Excavation	NaN m3