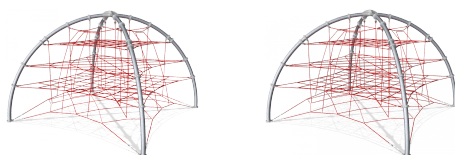
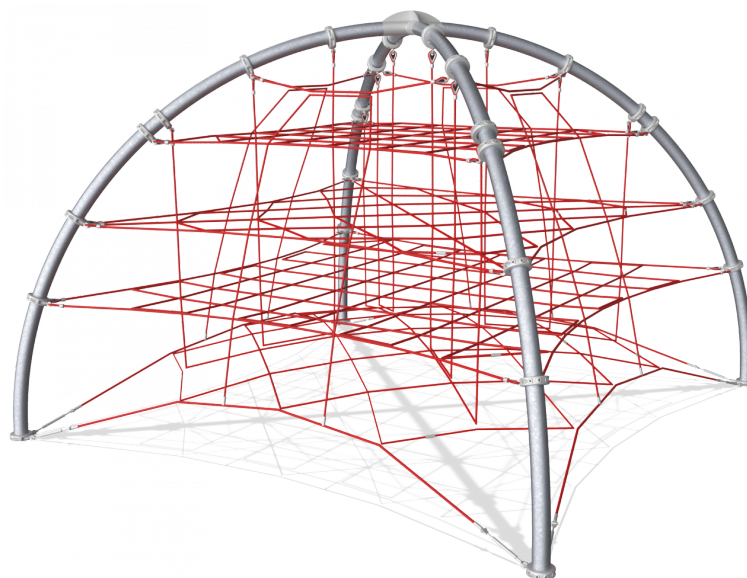


COR84100 Classic Dome



The Classic Dome presents children with an irresistible motivation to climb its horizontal nets and vertical balance ropes. The layered play experience invites children into a world of climbing. The transparent structure and bouncy feeling make for hours and days of play. The openness of design invites explorative climbing up, down and around the net. The horizontal net layers invite breaks and allow for many children resting, together. All the nets are intertwined by the vertical ropes. The effect is that the child can feel the movements of the other children throughout the net. This social-emotional effect attracts children immensely and adds to their courage and feeling of belonging. The physical benefits are: training the proprioception and spatial awareness, both necessary when for instance navigating traffic safely. Training major muscle groups. Bone density is built when jumping off.

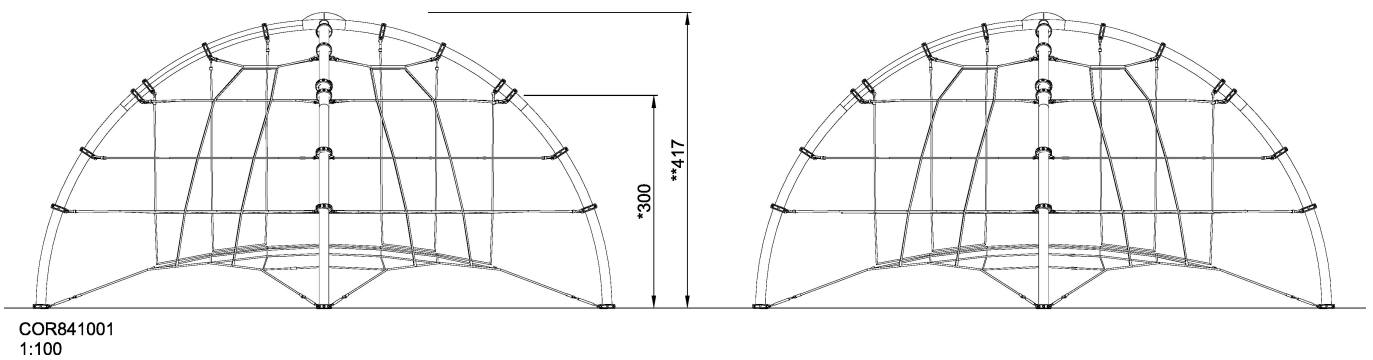
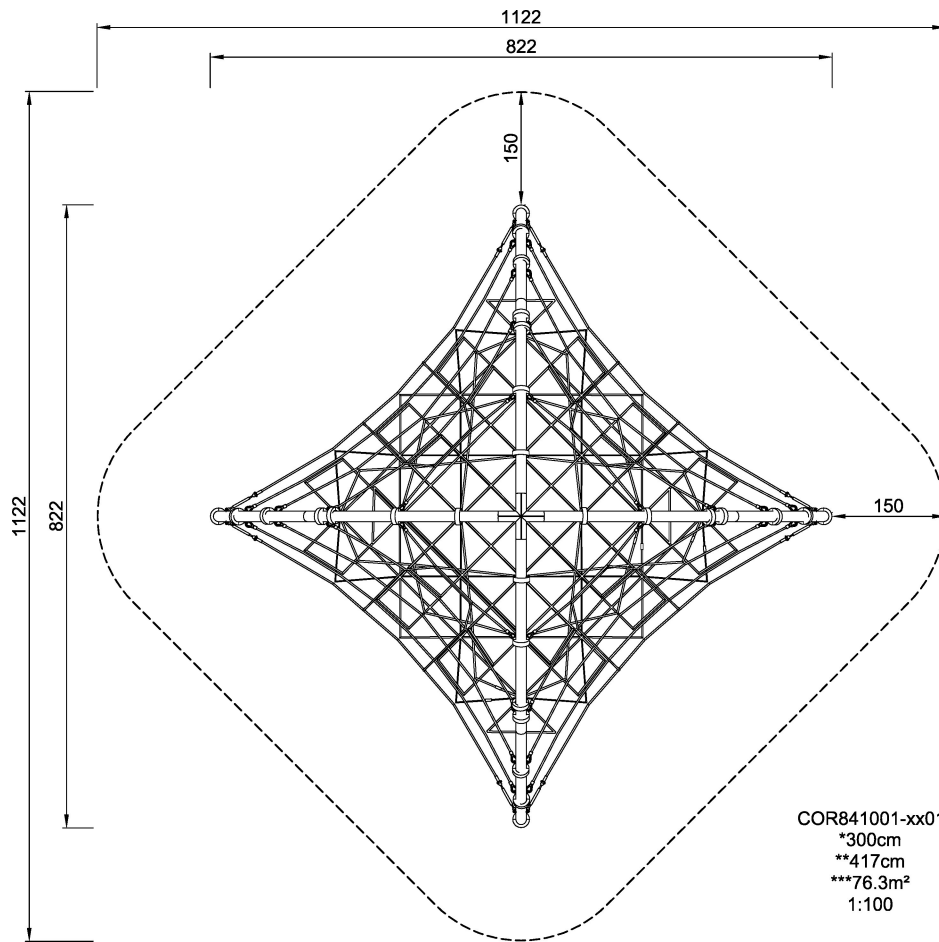
Product Line	Corocord™ rope playground
Category	Domes & Arches
Age group	5+
Max. fall height (CM)	300
Total height (CM)	417
Safety Zone	76.3 m2



IN-
GROU.



ASTM



* = Highest designated play surface.

** = Total height of product.

Weight/heaviest parts	kg.	Installation (Manpower)	Persons
Concrete required	NaN m ³	Installation (Hours)	Hours
Foundation amount/footing	NaN	Excavation	NaN m ²