

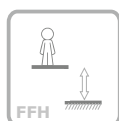
Proa

ref. ELBRC104



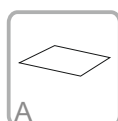
20 Users

3-14 YEAR



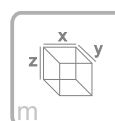
FFH

1.00 m



A

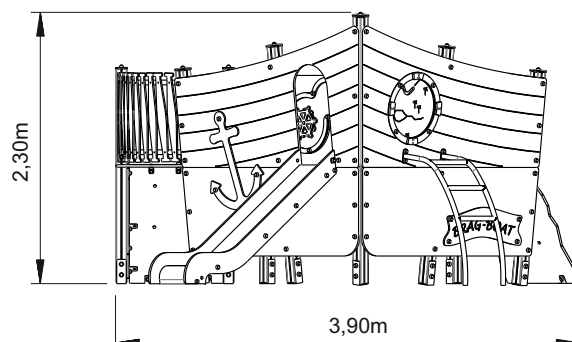
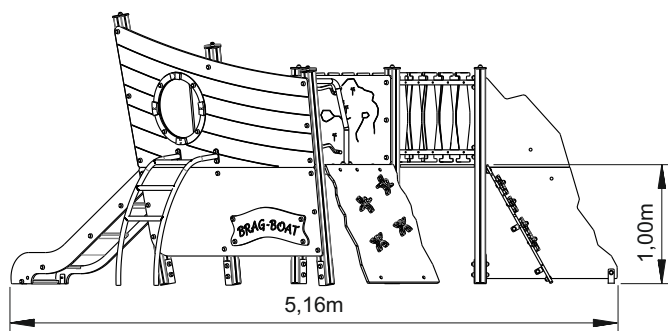
49 m²



m

x= 5.16
y= 3.90
z= 2.30


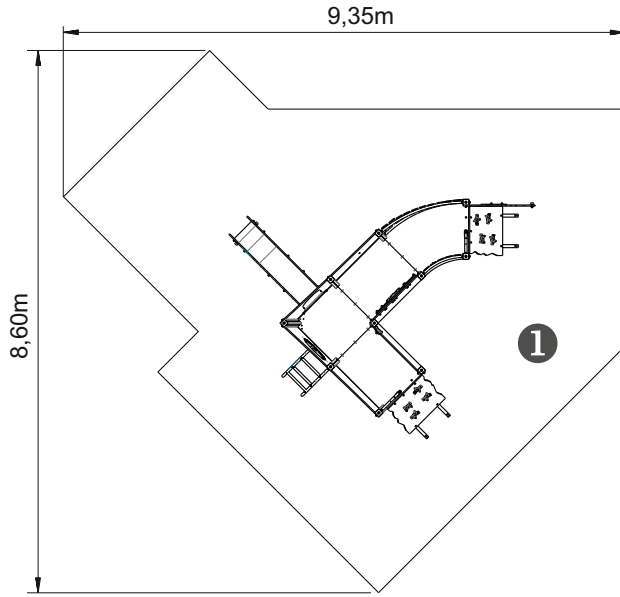
Data Sheet


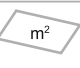



Equipment Information:

— Impact area
 - - Free Space

EN 1176-1,3

.....	①
	1,00
	49
	49

1,52m³



10h



2x



KG



KG



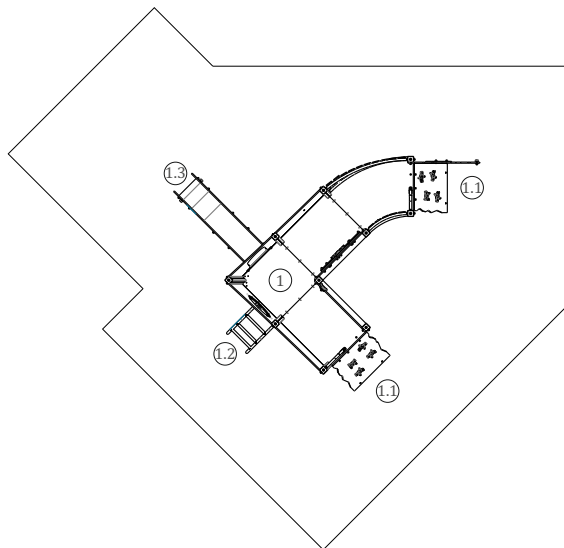
Technical Information:

1 - Prow  1.00m

1.1 - Staircase

1.2 - Stair

1.3 - Slide



Technical Characteristics:



bragmaia®

Vertical posts

Wood: Laminated pinewood classified with guarantee of quality by continuous internal control. With autoclave treatment, protecting it from attacks of fungus, insects and termites. Finishing on aqueous base ink, specially developed to protect the wood from humidity, weather and U.V.

**PROTECTORES DECORATIVOS:**



Penetra profundamente na madeira destacando os veios e embelezando a madeira com as suas cores especiais transparentes.



Muito resistente ao sol. Contém pigmentos micronizados absorventes e estabilizadores dos raios U.V.



Microporoso, deixa respirar a madeira e evita as deformações naturais da madeira.



Fácil manutenção. Não é necessário lixar ou decapar para a aplicação de novas camadas.



PRINCIPIOS ACTIVOS
conferindo ao filme uma barreira protectora contra fungos e bolores



HIDRÓFUGO
protege contra a humidade, a chuva e impermeabiliza

Panels

HDPE: Monocolour/bicolour high density polyethylene. It is a polymer so it is characterized by its resistance to corrosion and chemical products. By its capacity of elasticity and lightweight, it offers high resistance to impacts, and, therefore, very difficult to break. The non-slip surface offers security to children and the synthetic base prevents grow of bacteria and fungus. No need for maintenance;

Marine plywood: Non-slip, bonded with phenolic resins resistant to the weather and U.V., according to EL 314-2/classe 3 (DIN 68 TS TCIL3: BFU 100, BS 6566 PART 8 : WBP);

Metal parts

Tubos: Stainless steel AISI 304, Ø40mm;

Iron: Anticorrosive treatment of hot dip galvanizing in accordance with EN ISO 1461;

Sliding surface: Stainless steel plate AISI 304, bent and rolled from one piece;

Fixation System: Allow its placing on the ground avoiding the wood to come into direct contact with the soil. The bottom part of these fastening are anchored in the ground. Fabricated in galvanized steel;

Type A - Standard fixation system composed by steel base embedded in the ground with concrete;

Type B - Standard fixation system composed by steel base screwed to the ground with steel anchors;

Type C - Standard fixation system composed by posts applied directly in the ground with concrete;

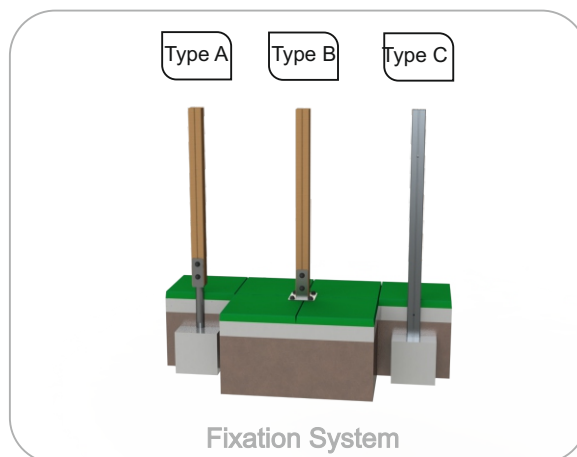
Screws and accessories

Screws: Galvanized steel or optionally stainless steel AISI 304;

Capsules: PP Polypropylene plastic;



100% reciclable;



Playful Activities:



Amuse: While they have fun, children acquire several capacities, since physical abilities to social interactions.



Socialize: The socialization and imagination are necessary in all games. All of it creates a relation between children and arouses the sense of coexistence and solidarity.



Play: Develops both patience, sharing and sportsmanship.



Sliding: A sloped surface allows the child to slide in great velocity, a sensation that makes him feel alive and learn to control his movements, reflexes and psychomotor abilities.



Climbing: A movement to develop children motor skills, body control, balance and coordination, which stimulates the motor capacity an own body security.