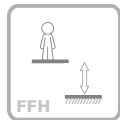


Zea 3

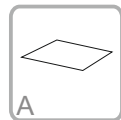
ref. ELDAN029PRC2



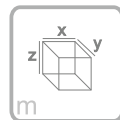
2 Users



1.00 m

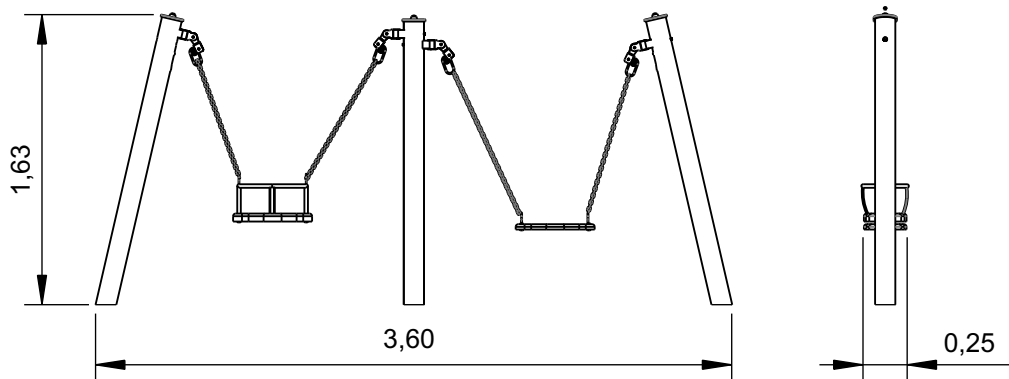


26 m²



x= 3.60
y= 0.25
z= 1.63

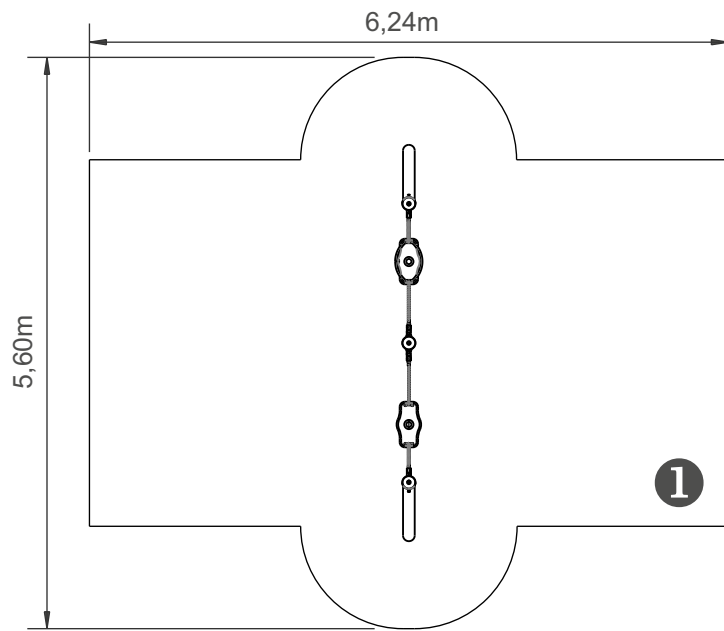
Data Sheet



Equipment Information:



bragmaia®



— Impact area
 - - Free space

EN 1176-1,2

.....	①
	1,00
	26
	26

0,24m³

2h

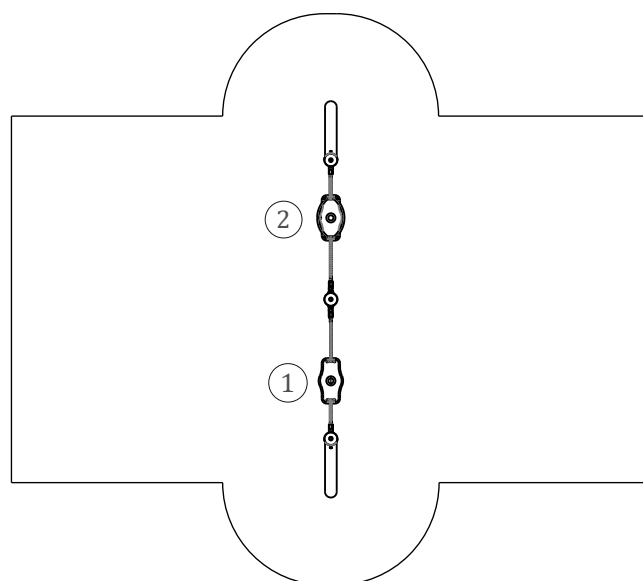
2x

KG

KG

Technical Information:

- 1 - Seat 0.45m
- 2 - Baby Chair 0.45m





bragmaia®

Technical Characteristics:

Chairs and seats: Are made of EPDM rubber injected with aluminium reinforcement inside . Chairs with Ø5mm in hot galvanized steel;

Metal parts

Tubes:

Iron: Anticorrosive treatment of hot dip galvanizing in accordance with EN ISO 1461. Gel type lacquer at 230 ° C with thickness ranging from 50 to 70µm, according to the UNE EN ISO 2808;

Fixation System:

Type C - Standard fixation system composed by posts applied directly in the ground with concrete;

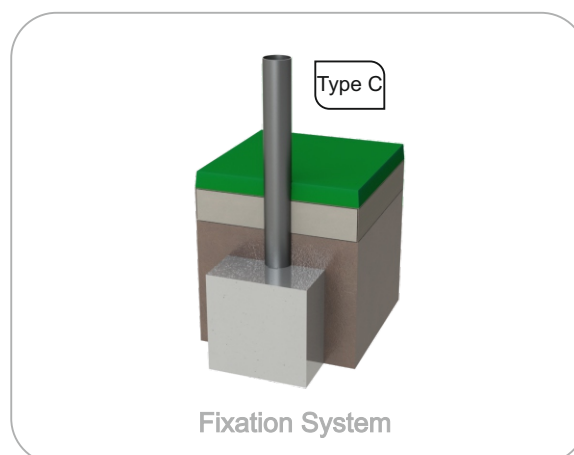
Screws and accessories

Screws: Galvanized steel or optionally stainless steel AISI 304;

Capsules: PP Polypropylene plastic;



100% recyclable;



Playful Activities:



Amuse: While they have fun, children acquire several capacities, since physical abilities to social interactions.



Socialize: The socialization and imagination are necessary in all games. All of it creates a relation between children and arouses the sense of coexistence and solidarity.



Play: Develops both patience, sharing and sportsmanship.



Swinging: The nervous system is stimulated by this movement, mainly the psychomotor system and the sight. It is also relaxing and, in addition, it helps developing the balance and coordination faculties.