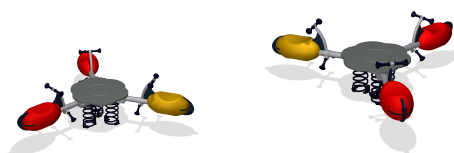


ELE400021

Blazer



The whimsical shapes and colors of the Blazer evoke children's curiosity: they want to try it out. The vibrant colors are consciously chosen to support beginning rules understanding of the 3+-year-olds: they can choose their color. The springs make it possible rocking individually or in uneven numbers, too. The platform in the middle supports lying and standing. The platform can be used to start games or as a meeting point. Rocking on the Blazer, especially when standing on the middle platform, trains the child's sense of space and balance. These are crucial as a basis of navigating the world securely. Good mastery of space and balance is the basis of for instance being able to sit still. When the sense of balance is not developed, children cannot focus on anything else. So the sense of balance needs to be automatized in the early years. The Blazer is a fun, playful way to do that.

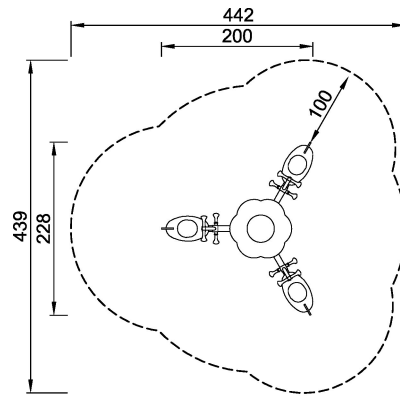
Product Line	Traditional Play
Category	Seesaws
Age group	3 - 8
Max. fall height (CM)	100
Total height (CM)	79
Safety Zone	14.3 m ²



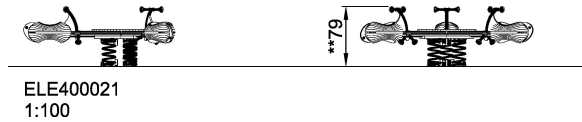
**SUR-
FACE**



ASTM



ELE400021
*100cm
**79cm
***14.3m²
1:100



* = Highest designated play surface.
** = Total height of product.

Weight/heaviest parts	kg.	Installation (Manpower)	Persons
Concrete required	NaN m ³	Installation (Hours)	Hours
Foundation amount/footing	NaN	Excavation	NaN m ³