

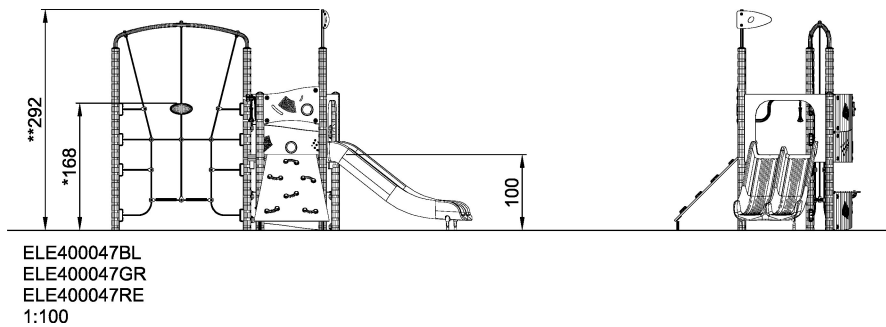
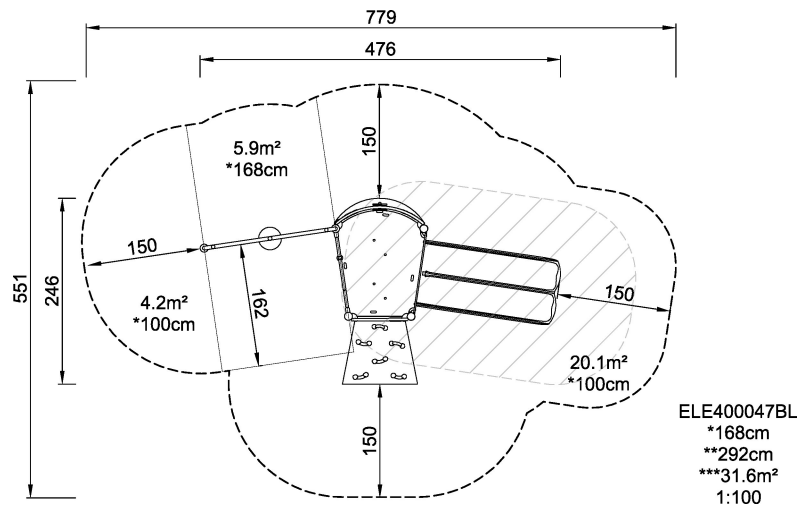


With the sway net at one end and the roomy double slide at the other, the structure is spacious enough to let the children enter and manoeuvre around the tower. The play switcher supports the driving/sailing theme. Attached to the side, a climbing wall offers an alternative access into the structure and at the same time shelters a little hiding place underneath.

Product Line	ELEMENTS™
Category	ELEMENTS™ PRESCHOOL
Age group	2 - 6
Max. fall height (CM)	168
Total height (CM)	292
Safety Zone	31.6 m ²



**SUR-
FACE**



* = Highest designated play surface.
** = Total height of product.

Weight/heaviest parts	kg.	Installation (Manpower)	Persons
Concrete required	NaN m ³	Installation (Hours)	Hours
Foundation amount/footing	NaN	Excavation	NaN m ³