

ELE400049

# Double Slide Tower

**KOMPAN**<sup>®</sup>  
Let's play

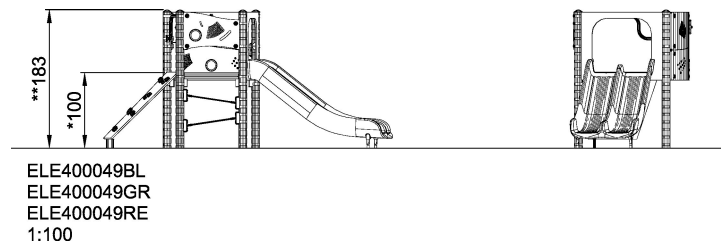
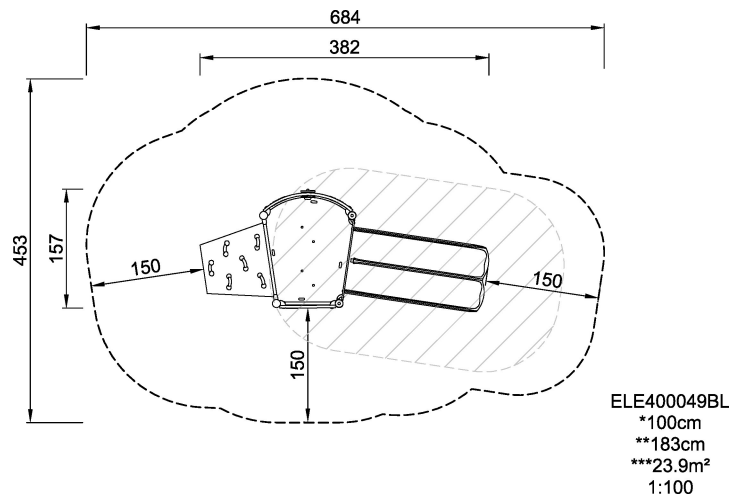


A compact play structure with lots to offer. There are two ways up: the sloping rock climb with its colourful cleats or the sturdy steel ladder. A play switcher is added to complete the play possibilities in the panels. The double slide allows two children to race down together - or a parent to slide too!

<b>Product Line</b>	ELEMENTS™
<b>Category</b>	ELEMENTS™ PRESCHOOL
<b>Age group</b>	2 - 6
<b>Max. fall height (CM)</b>	100
<b>Total height (CM)</b>	183
<b>Safety Zone</b>	23.9 m <sup>2</sup>



**SUR-  
FACE**



\* = Highest designated play surface.  
\*\* = Total height of product.

<b>Weight/heaviest parts</b>	kg.	<b>Installation (Manpower)</b>	Persons
<b>Concrete required</b>	NaN m <sup>3</sup>	<b>Installation (Hours)</b>	Hours
<b>Foundation amount/footing</b>	NaN	<b>Excavation</b>	NaN m <sup>3</sup>