



Fort is a place for movement, climbing, hanging, sliding and balancing. The centre court is sheltered and encourages ground level activities. The climbing nets offer even the youngest children a chance to enter the net and try out their climbing skills. The structure also offers an overhead ladder with additional horizontal ropes, a play shell and a slide. The child can choose to access the highest platform from the nets or via the play shells. With binoculars and a megaphone the children can contact one another or take a closer look at their surroundings.

Product Line	ELEMENTS™
Category	ELEMENTS™ PRESCHOOL
Age group	2 - 6
Max. fall height (CM)	168
Total height (CM)	296
Safety Zone	59.1 m2

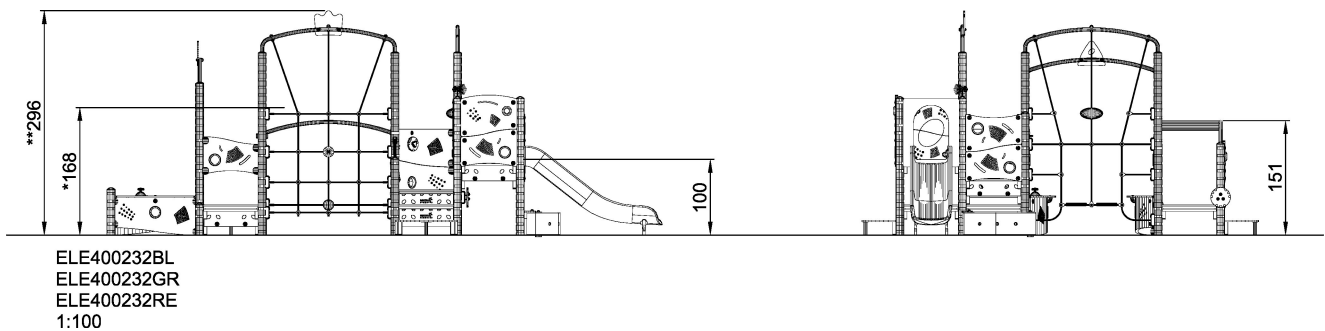
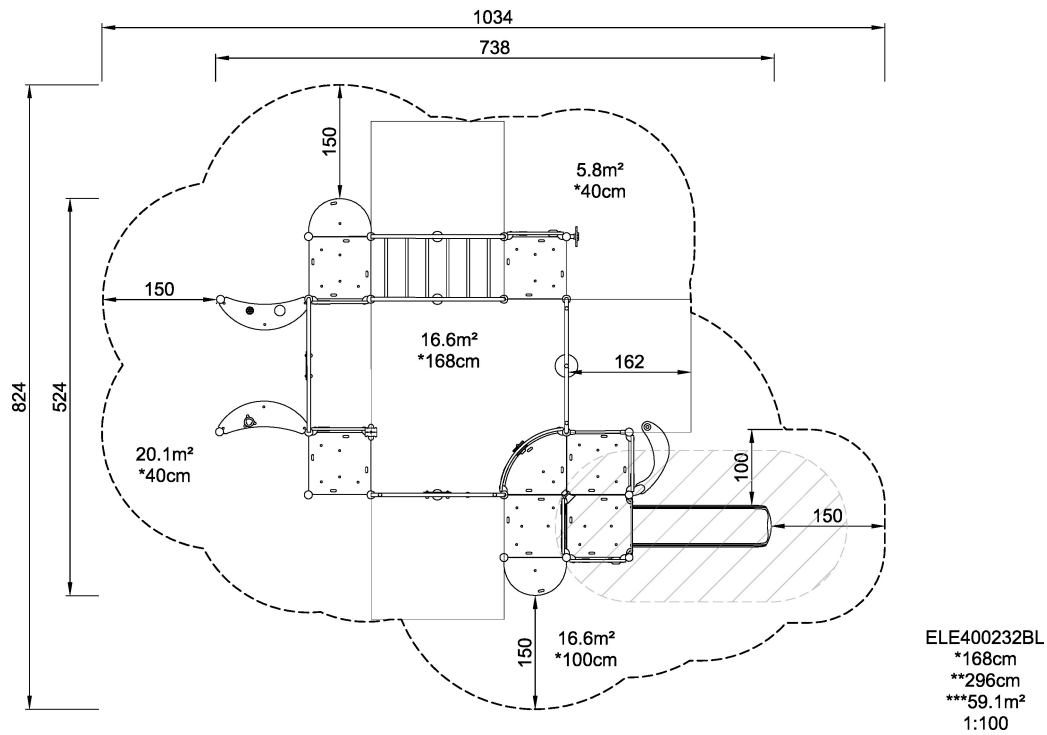


INCLUSIVE

SUR-
FACE

ADA / INCLUSIVE

ASTM



* = Highest designated play surface.
** = Total height of product.

Weight/heaviest parts	kg.	Installation (Manpower)	Persons
Concrete required	NaN m3	Installation (Hours)	Hours
Foundation amount/footing	NaN	Excavation	NaN m3