

ELE500001

Peak

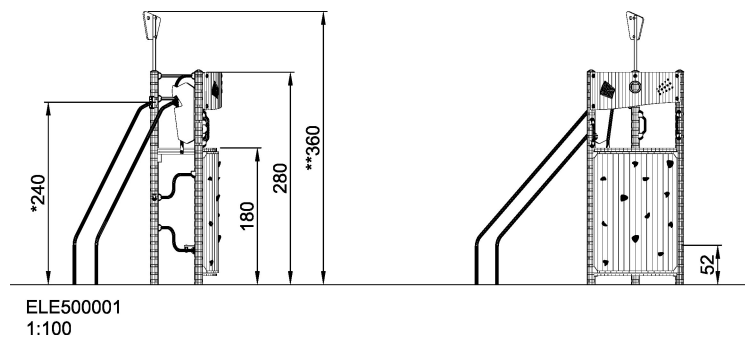
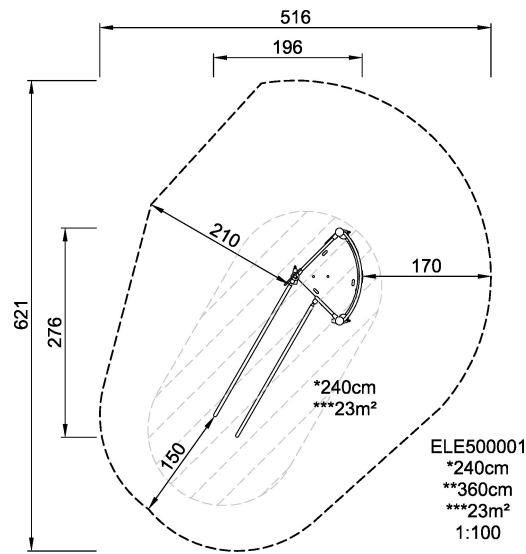


This intense play tower, in spite of its small footprint, has room for most play needs of the 6 to 12-year-olds and signals cool play for the children of our time. The product offers play all over, inside-out! It is possible to enter from all sides for different competence levels. The activities are just what the children like: Lots of different climbing, fine-tuning their cross-body coordination and sense of space, and fine hangouts: On top of the product for at break with a view, under the floor for at more intimate chat. The banister bars give the child a good chance to prove its courage and creativity, sliding, climbing or somersaulting down - or up, for the elevated players.

Product Line	ELEMENTS™
Category	ELEMENTS™ SCHOOL AGE
Age group	6 - 12
Max. fall height (CM)	240
Total height (CM)	360
Safety Zone	23 m2



**SUR-
FACE**



* = Highest designated play surface.
** = Total height of product.

Weight/heaviest parts	kg.	Installation (Manpower)	Persons
Concrete required	NaN m3	Installation (Hours)	Hours
Foundation amount/footing	NaN	Excavation	NaN m3