

ELE500013
Boulder

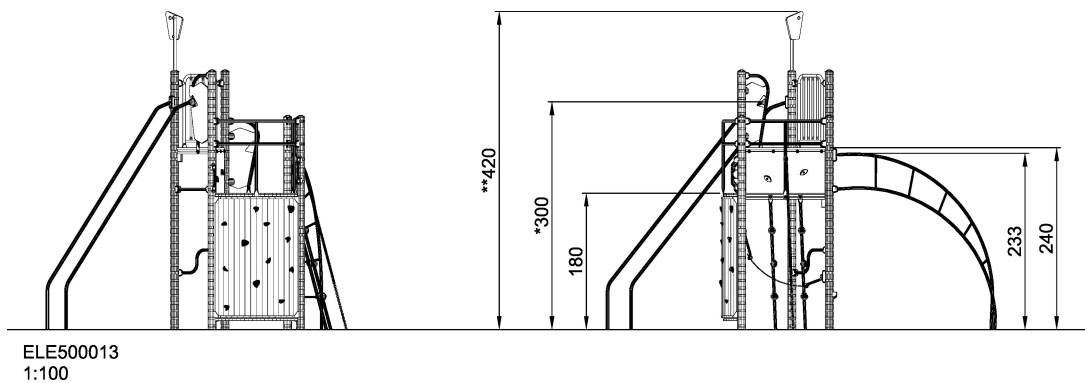
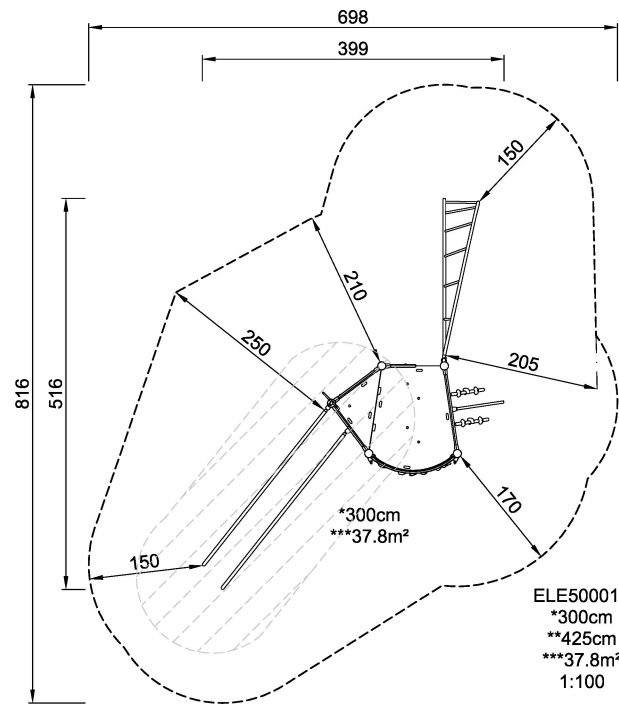


High durability and low maintenance cost without compromising the high play value. This tower has room for the majority of play activities of 6-12 year olds and signals climbing, sliding and hanging-out in a way that appeals to children. The many entry points make the tower easy to access while offering play all over, inside-out! The varied climbing and sliding activities allow children to fine tune their cross body coordination and spatial skills. The good bouncing gathering points are great for a break as is the top of the tower, with its view of the playground. Under the platform, the playshell offers space for a more private chat. The product is highly vandal resistant due to its use of high-quality, extremely durable materials such as stainless steel, hot-dip galvanised steel, S-HPL and coloured-through, UV-stable PE.

Product Line	ELEMENTS™
Category	ELEMENTS™ SCHOOL AGE
Age group	6 - 12
Max. fall height (CM)	300
Total height (CM)	425
Safety Zone	37.8 m2



**SUR-
FACE**



* = Highest designated play surface.
** = Total height of product.

Weight/heaviest parts	kg.	Installation (Manpower)	Persons
Concrete required	NaN m3	Installation (Hours)	Hours
Foundation amount/footing	NaN	Excavation	NaN m3