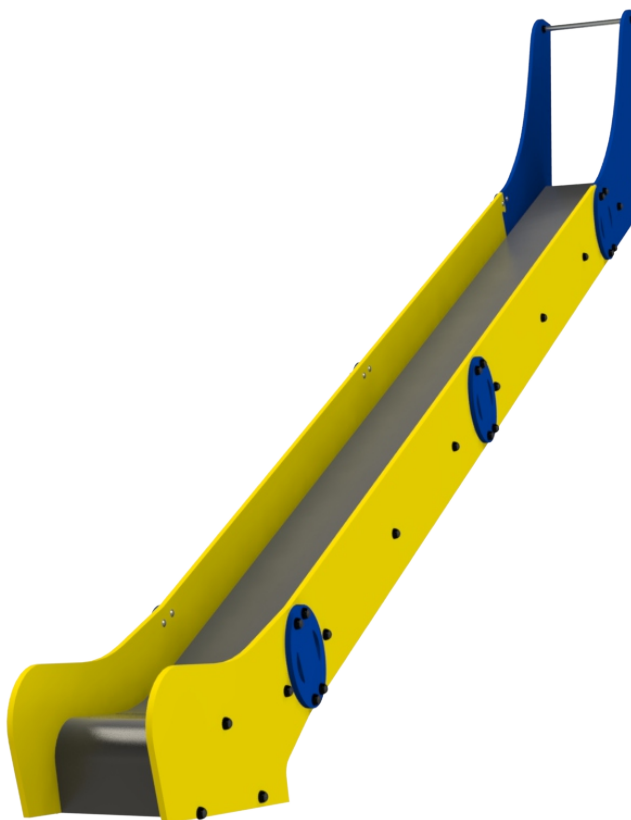
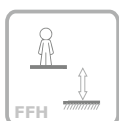


Bomboleta 6

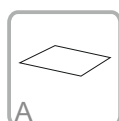
ref. ELESC006



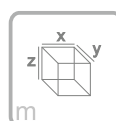
4-12 Years



1.00 m

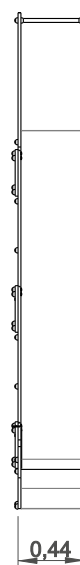
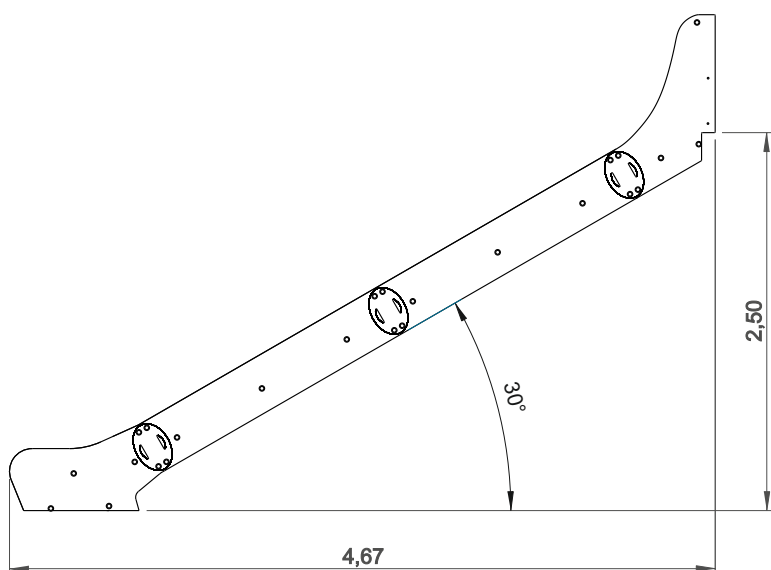


12 m²

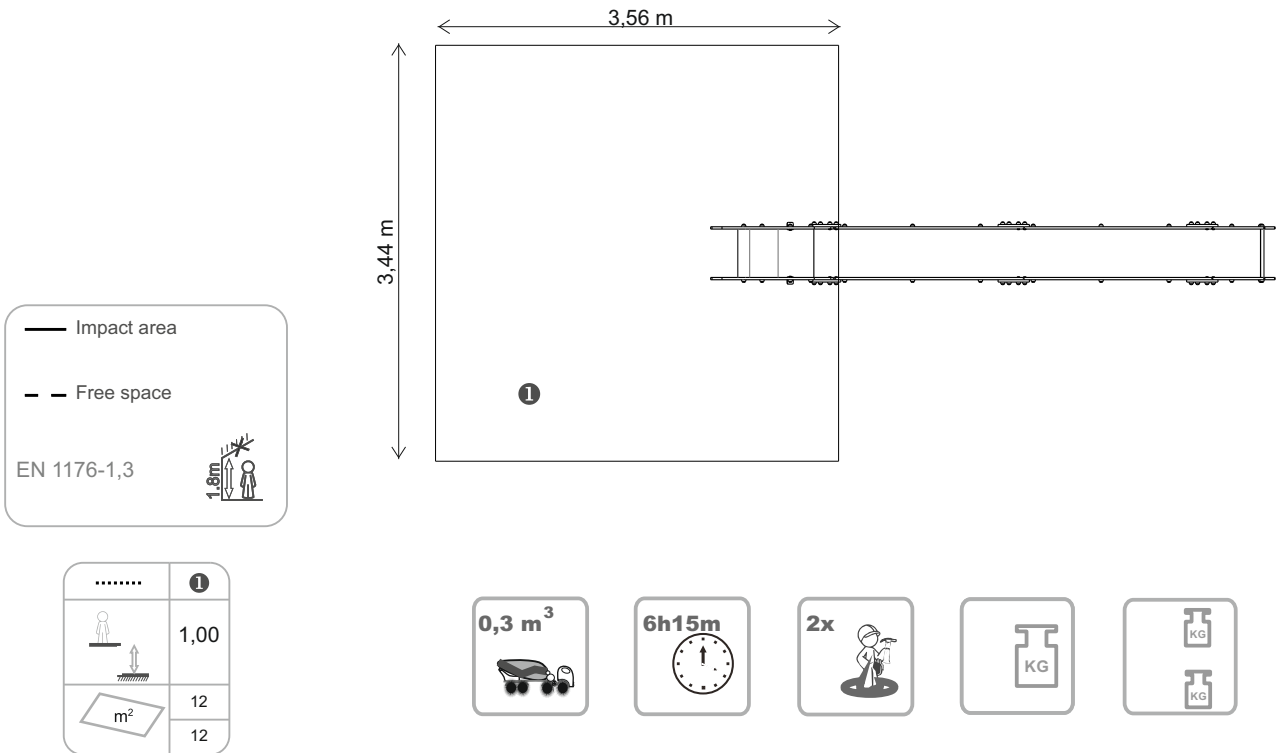


x= 4.67
y= 0.44
z= 2.50

Data Sheet

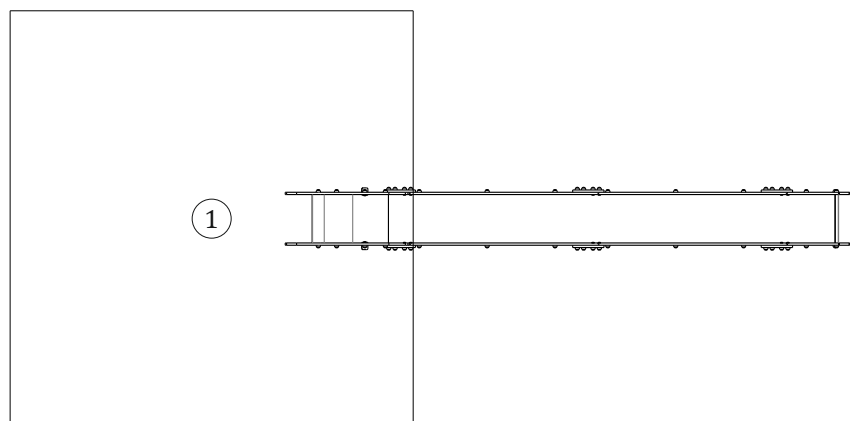


Equipment Information:



Technical Information:

1 - Slide  1.00m





bragmaia®

Technical Characteristics:

Panels

HDPE: Monocolour/bicolour high density polyethylene. It is a polymer so it is characterized by its resistance to corrosion and chemical products. By its capacity of elasticity and lightweight, it offers high resistance to impacts, and, therefore, very difficult to break. The non-slip surface offers security to children and the synthetic base prevents grow of bacterias and fungus. No need for maintenance;

Metal parts

Sliding surface: Stainless steel plate AISI 304, bent and rolled from one piece;

Tubes:

Stainless steel: AISI 304, Ø40mm;

Fixation System:

Type A - Standard fixation system composed by steel base embedded in the ground with concrete;

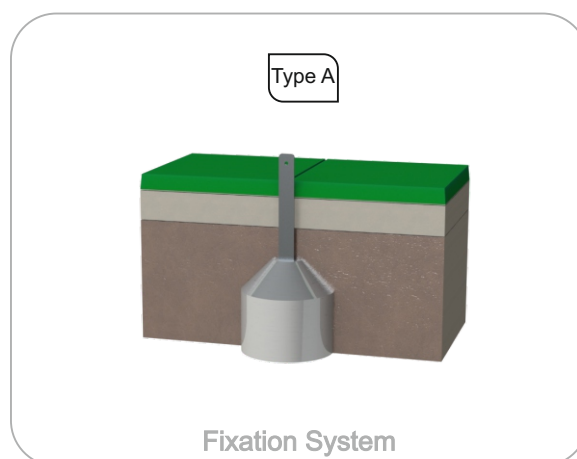
Screws and accessories

Screws: Galvanized steel or optionally stainless steel AISI 304;

Capsules: PP Polypropylene plastic;



100% recyclable;



Playful Activities:



Amuse: While they have fun, children acquire several capacities, since physical abilities to social interactions.



Socialize: The socialization and imagination are necessary in all games. All of it creates a relation between children and arouses the sense of coexistence and solidarity.



Play: Develops both patience, sharing and sportsmanship.



Sliding: A sloped surface allows the child to slide in great velocity, a sensation that makes him feel alive and learn to control his movements, reflexes and psychomotor abilities.

REF.	ALTURA	COMP.
ELESC006	2500mm	4670mm
ELESC007	3100mm	5700mm
ELESC008	3400mm	6225mm
ELESC012	4000mm	7260mm
ELESC013	4300mm	7780mm
ELESC014	5000mm	8820mm
ELESCT1	1000mm	600mm
ELESCT1 AL	1000mm	600mm
ELESCE1	2200mm	2000mm

