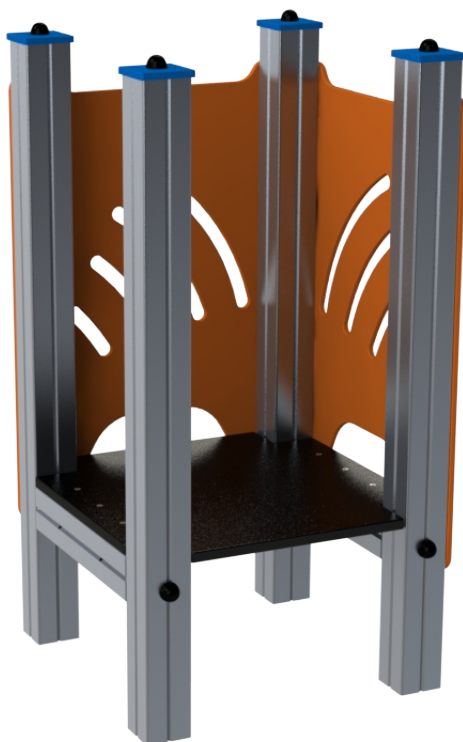
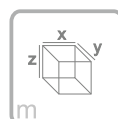
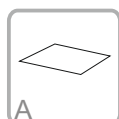
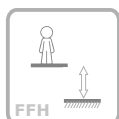


# Tower

ref. ELESCT1AL

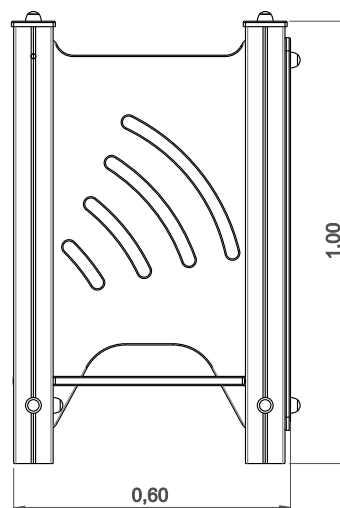
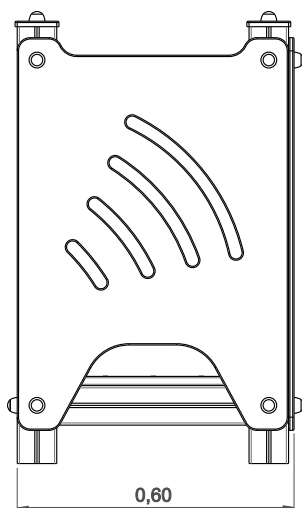


4-12 Years



x= 0.60  
y= 0.60  
z= 1.00

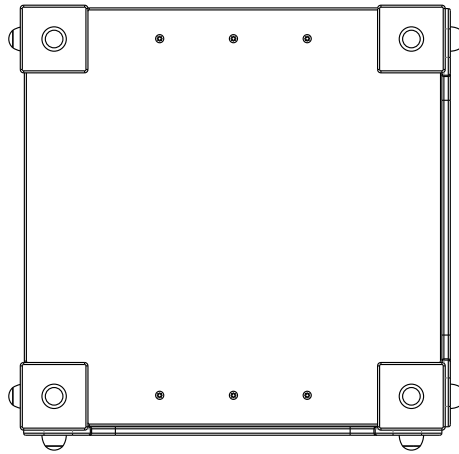

Data Sheet




# Equipment Information:

— Impact area  
- - Free space

EN 1176-1,3



0,3 m<sup>3</sup>



2h



2x



KG

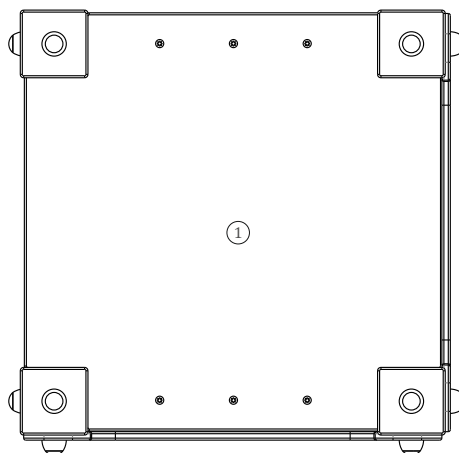


KG



# Technical Information:

1 - Tower





bragmaia®

# Technical Characteristics:

## Vertical posts

**Aluminum:** 90x90x2.5mm profile alloy 6063 and T66 treatment, which is an alloy extrusion excellence, exhibits excellent corrosion resistance with good surface finish. The T66 treatment in which this alloy is solubilized, tempered and artificially aged, aims to improve its mechanical properties. This is supplied at natural color with the option of being lacquered RAL according to customer needs;

## Panels

**HDPE:** Monocolour/bicolour high density polyethylene. It is a polymer so it is characterized by its resistance to corrosion and chemical products. By its capacity of elasticity and lightweight, it offers high resistance to impacts, and, therefore, very difficult to break. The non-slip surface offers security to children and the synthetic base prevents grow of bacterias and fungus. No need for maintenance;

**Marine plywood:** Non-slip, bonded with phenolic resins resistant to the weather and U.V., according to EL 314-2/classe 3 (DIN 68 TS TCIL3: BFU 100, BS 6566 PART 8 : WBP);

## Metal parts

### Fixation System:

**Type B - Standard fixation system** composed by steel base screwed to the ground with steel anchors;

**Type C - Standard fixation system** composed by posts applied directly in the ground with concrete;

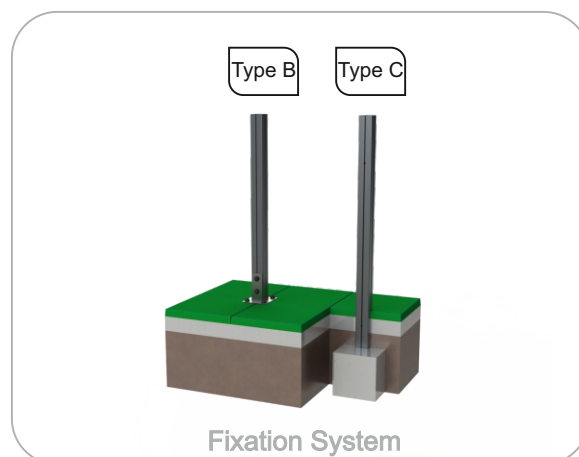
## Screws and accessories

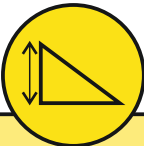

**Screws:** Galvanized steel or optionally stainless steel AISI 304;

**Capsules:** PP Polypropylene plastic;



100% recyclable;



REF.	 ALTURA	 COMP.
ELESC006	2500mm	4670mm
ELESC007	3100mm	5700mm
ELESC008	3400mm	6225mm
ELESC012	4000mm	7260mm
ELESC013	4300mm	7780mm
ELESC014	5000mm	8820mm
ELESCT1	1000mm	600mm
ELESCT1 AL	1000mm	600mm
ELESCE1	2200mm	2000mm

