

# Kobe

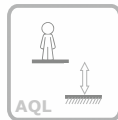
ref. ELFLOR012



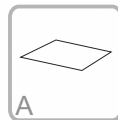
bragmaia®



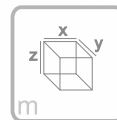
4-14 Years



2.55 m

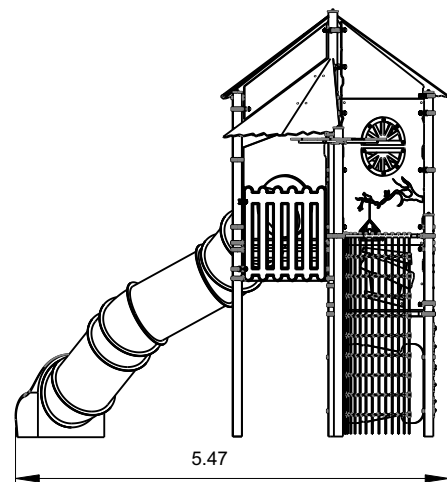
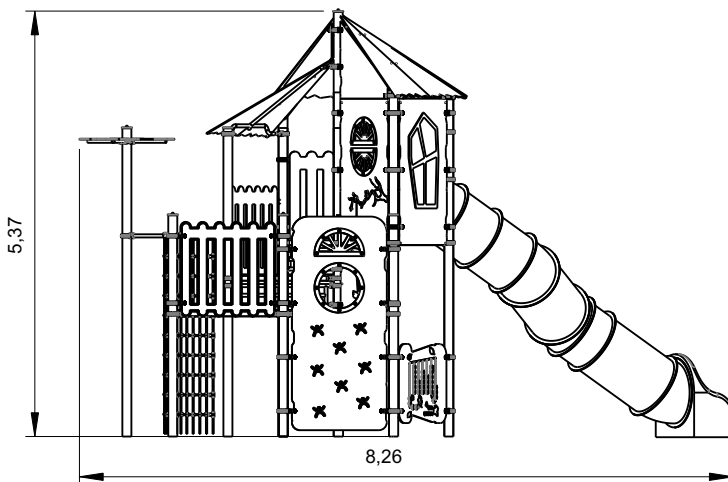


91 m<sup>2</sup>



x = 8.26  
y = 5.37  
z = 5.47

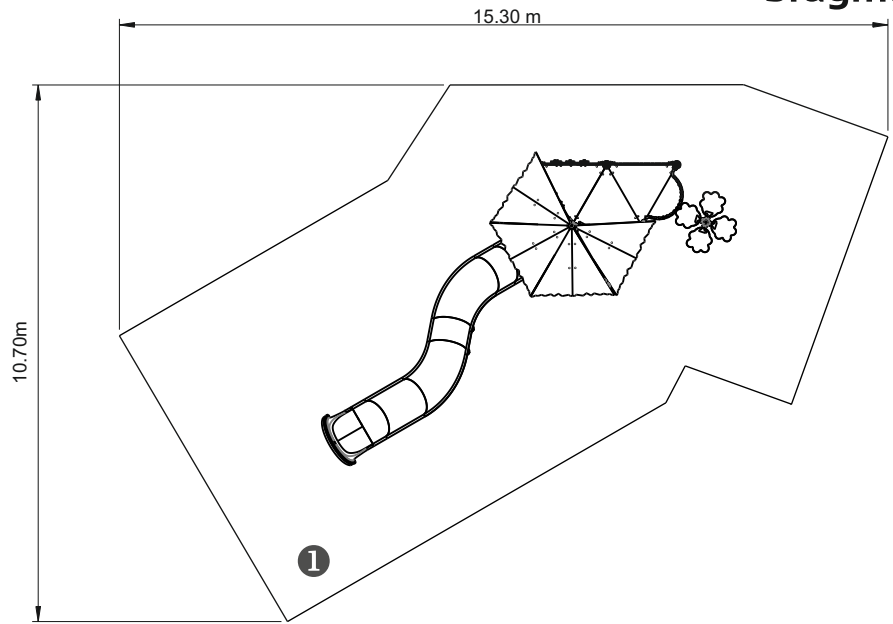
Data Sheet



# Equipment Information:



bragmaia®



— Impact area  
 - - Free space

EN 1176-1,3

.....	①
	2.55
	91
	91

1.05m<sup>3</sup>

12h

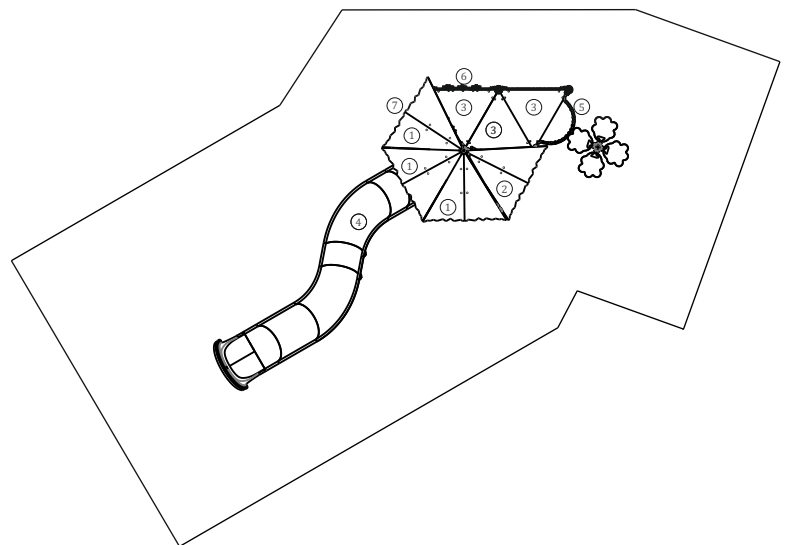
2x

KG

KG

# Technical Information:

- 1 - Roof tower 2.50
- 2 - Roof tower 2.05m
- 3 - Simple tower 1.60m
- 4 - Slide 2.50m
- 5 - Climbing net 55m
- 6 - Climbing 1.60m
- 7 - 4 in Line





bragmaia®

# Technical Characteristics:

## Panels

**HDPE:** Monocolour/bicolour high density polyethylene. It is a polymer so it is characterized by its resistance to corrosion and chemical products. By its capacity of elasticity and lightweight, it offers high resistance to impacts, and, therefore, very difficult to break. The non-slip surface offers security to children and the synthetic base prevents grow of bacterias and fungus. No need for maintenance;  
**Acrylic:** composed of 70% of conifers fibers and 30% thermosetting resin, weather resistant (sun, rain, humidity, etc.);

**Marine plywood:** Non-slip, bonded with phenolic resins resistant to the weather and U.V., according to EL 314-2/classe 3 (DIN 68 TS TCIL3: BFU 100, BS 6566 PART 8 : WBP);

## Plastic parts

**Slide Tunnel:** Polymetric matrix composite material with fiberglass coating

**Net:** Ø16mm steel ropes coated in reinforced polypropylene fibers, connection accessories in HDPE with U.V. protection, fixing elements in galvanized hot steel;

## Metal parts

### Tubes:

**Stainless steel:** AISI 304, Ø40mm and Ø114mm;

### Fixation System:

**Type C - Standard fixation system** composed by posts applied directly in the ground with concrete;

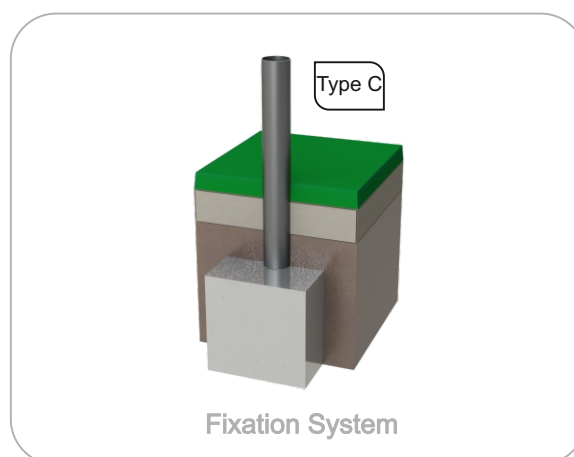
### Screws and accessories

**Screws:** Galvanized steel or optionally stainless steel AISI 304;

**Capsules:** PP Polypropylene plastic;



100% recyclable;





**bragmaia**®

## Playful Activities:



**Amuse:** While they have fun, children acquire several capacities, since physical abilities to social interactions.



**Socialize:** The socialization and imagination are necessary in all games. All of it creates a relation between children and arouses the sense of coexistence and solidarity.



**Play:** Develops both patience, sharing and sportsmanship.



**Climbing:** A movement to develop children motor skills, body control, balance and coordination, which stimulates the motor capacity an own body security.



**Sliding:** A sloped surface allows the child to slide in great velocity, a sensation that makes him feel alive and learn to control his movements, reflexes and psychomotor abilities.