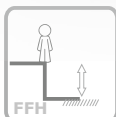


Girocóptero

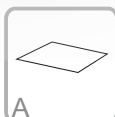
ref. ELFUC002



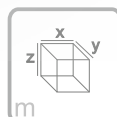
2-12 Years



0.20 m



22 m²

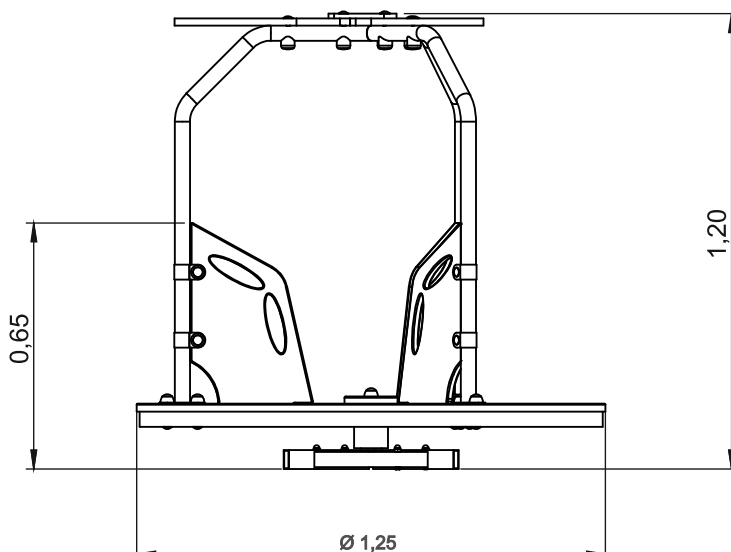
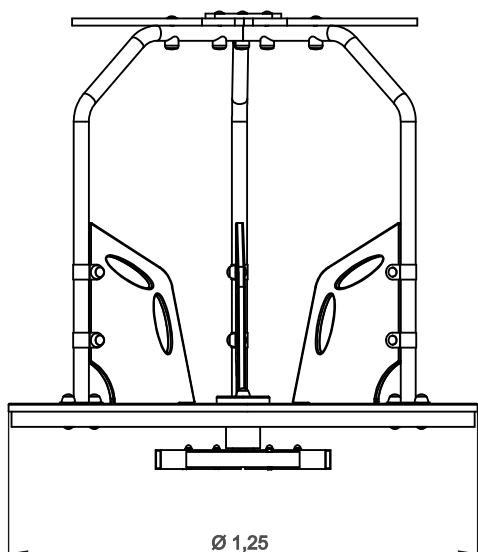


x = 1.25
y = 1.25
z = 1.20




360°

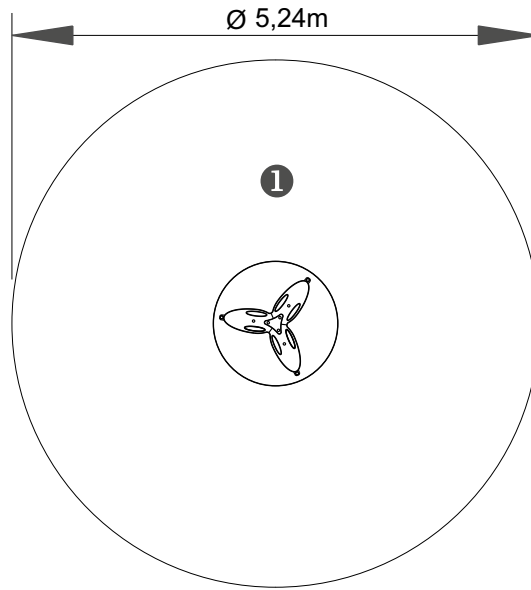
Data Sheet


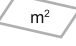


Equipment Information:

— Impact area
 - - Free space

EN 1176-1,5 

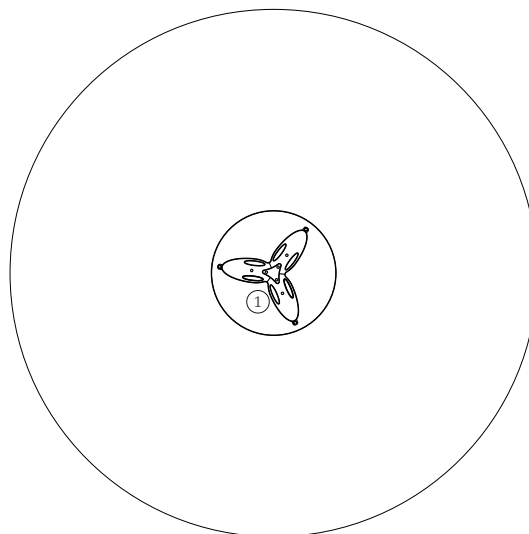


.....	1
	0,20
	22
	22



Technical Information:

1 - Carousel  0.20m





bragmaia®

Technical Characteristics:

Panels

HDPE: Monocolour/bicolour high density polyethylene. It is a polymer so it is characterized by its resistance to corrosion and chemical products. By its capacity of elasticity and lightweight, it offers high resistance to impacts, and, therefore, very difficult to break. The non-slip surface offers security to children and the synthetic base prevents grow of bacterias and fungus. No need for maintenance;

Marine plywood: Non-slip, bonded with phenolic resins resistant to the weather and U.V, according to EL 314-2/classe 3 (DIN 68 TS TCIL3: BFU 100, BS 6566 PART 8 : WBP);

Metal parts

Tubes:

Iron: Anticorrosive treatment of hot dip galvanizing in accordance with EN ISO 1461. Gel type lacquer at 230 ° C with thickness ranging from 50 to 70µm, according to the UNE EN ISO 2808;

Fixation System:

Type A - Standard fixation system composed by steel base embedded in the ground with concrete;

Type B - Standard fixation system composed by steel base screwed to the ground with steel anchors;

Bearings:

Tapered - They have inner and outer tapered raceways ring and tapered rollers. They are designed to accommodate combined loads simultaneously, acting radial and axial loads. The projection lines of the raceways meet on common point on the bearing axis, to provide true rolling and low friction;

Spheres - They have deep uninterrupted raceway grooves. These race way grooves have a close osculation with the balls, enabling the bearings to accomodate radial and axial loads in both directions. These bearings are particularly versatile;

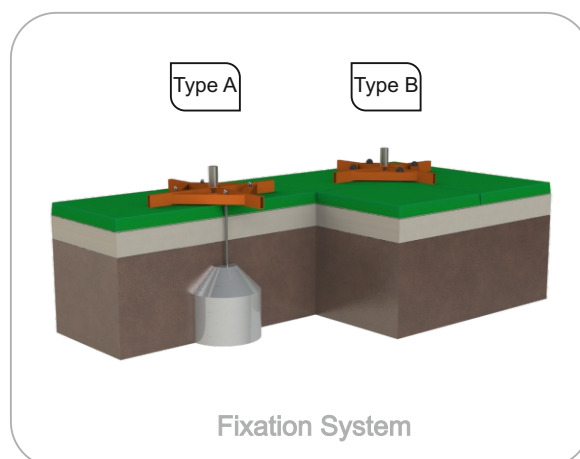
Screws and accessories

Screws: galvanized steel or optionally stainless steel AISI 304;

Capsules: PP Polypropylene plastic;



100% recyclable;



Playful Activities:



Amuse: While they have fun, children acquire several capacities, since physical abilities to social interactions.



Socialize: The socialization and imagination are necessary in all games. All of it creates a relation between children and arouses the sense of coexistence and solidarity.



Play: Develops both patience, sharing and sportsmanship.



Turning around: This activity provides a new sensation that, at the same time, improves body control, balance and coordination.