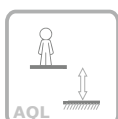


Situs

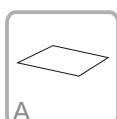
ref. ELJA004



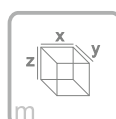
1-8 YEARS



0.0 m



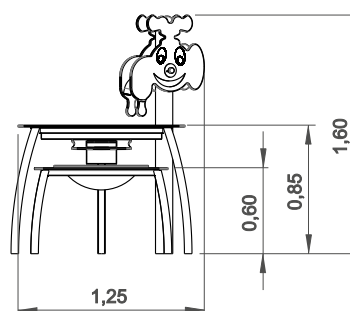
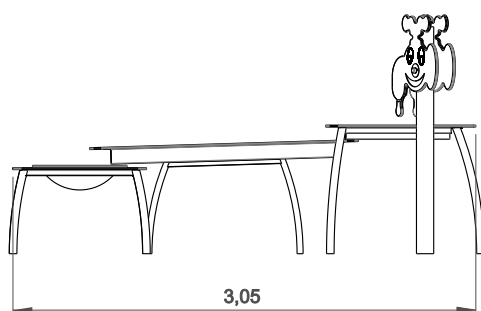
23 m²



x= 3.05
y= 1.25
z= 1.60



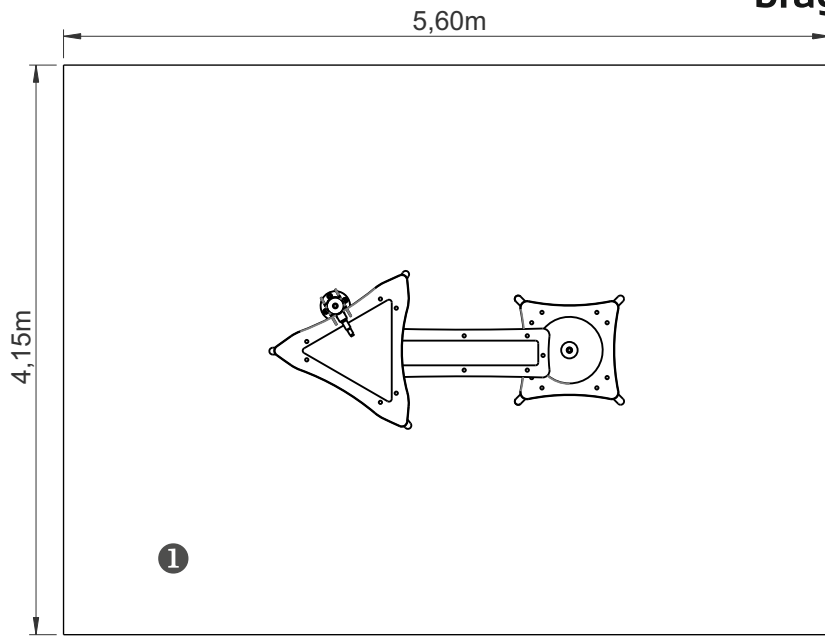
Data Sheet



Equipment Information:



bragmaia®



— Impact area
 - - Free space

EN 1176-1,3

.....	①
	0,00
	23
	23

0,5 m³

4h

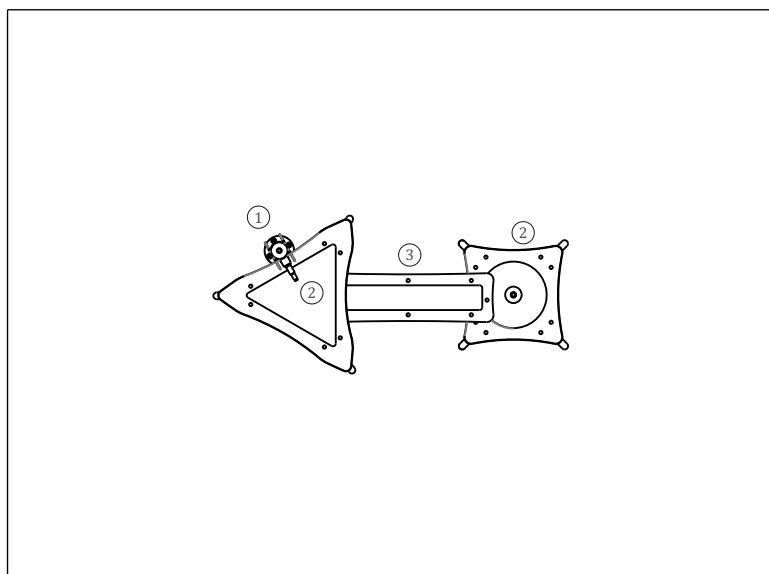
2x

KG

KG

Technical Information:

- 1 - Font
- 2 - Water Boxes
- 3 - Gutters





bragmaia®

Technical Characteristics:

Panels

HDPE: Monocolour/bicolour high density polyethylene. It is a polymer so it is characterized by its resistance to corrosion and chemical products. By its capacity of elasticity and lightweight, it offers high resistance to impacts, and, therefore, very difficult to break. The non-slip surface offers security to children and the synthetic base prevents grow of bacterias and fungus. No need for maintenance;

Metal parts

Tubes:

Stainless steel: AISI 304, Ø40mm;

Fixation System:

Type C - Standard fixation system composed by posts applied directly in the ground with concrete;

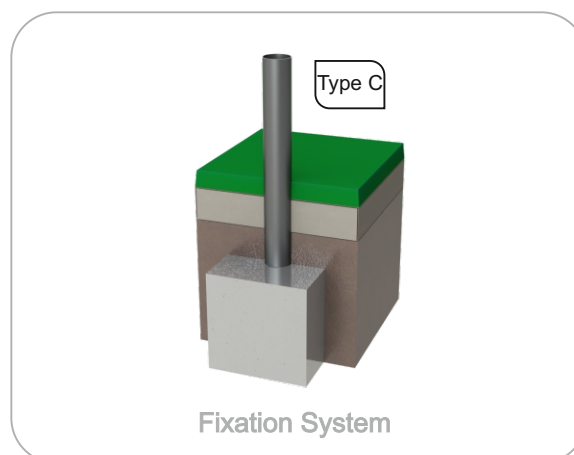
Screws and accessories

Screws: Galvanized steel or optionally stainless steel AISI 304;

Capsules: PP Polypropylene plastic;



100% recyclable;



Playful Activities:



Amuse: While they have fun, children acquire several capacities, since physical abilities to social interactions.



Socialize: The socialization and imagination are necessary in all games. All of it creates a relation between children and arouses the sense of coexistence and solidarity.



Play: Develops both patience, sharing and sportsmanship.