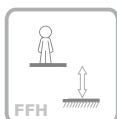


# Lóris

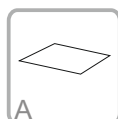
ref. ELKID001



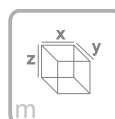
0.5-6 Years



0.60 m

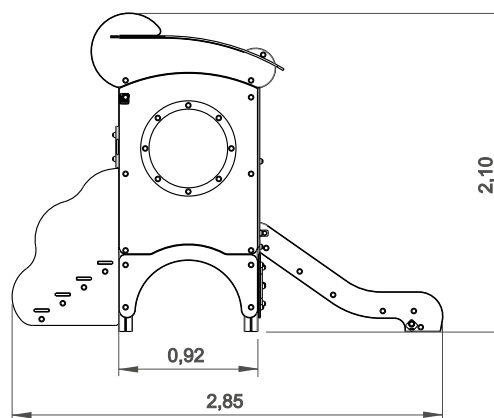
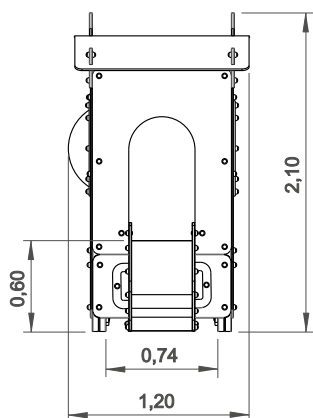


27 m<sup>2</sup>



x= 1.20  
y= 2.85  
z= 2.10


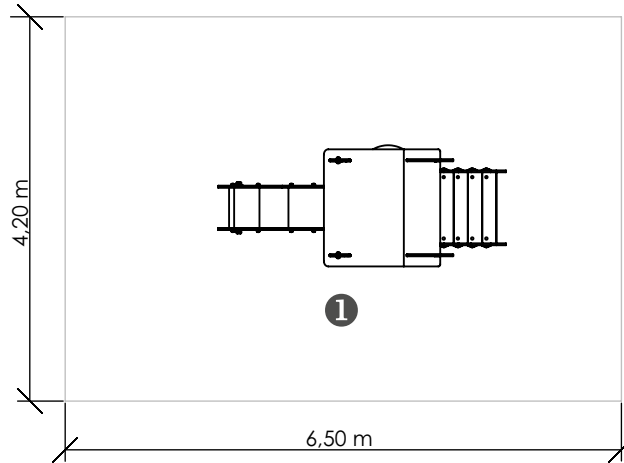
Data Sheet





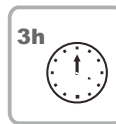
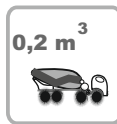
# Equipment Information:

— Impact area  
 - - Free space




EN 1176-1,3

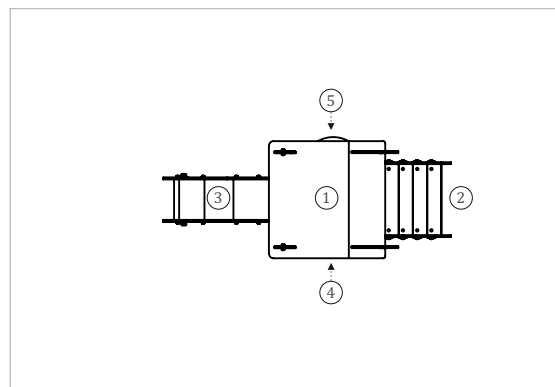



.....	①
	0,60
	27
	27



# Technical Information:

- 1 - Tower  0.60m
- 2 - Ladder  0.60m
- 3 - Stainless Slide  0.60m
- 4 - Tunnel
- 5 - Skylight










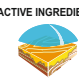

bragmaia®

# Technical Characteristics:

## Vertical posts

**Wood:** Laminated pinewood classified with guarantee of quality by continuous internal control. With autoclave treatment, protecting it from attacks of fungus, insects and termites. Finishing on aqueous base ink, specially developed to protect the wood from humidity, weather and U.V.;


**PROTECT DECORATES:**

					
Penetrates into the wood grain highlighting and beautifying the wood with its transparent special colors	Very resistant to sun. Contains micronized absorbing pigments and U.V. stabilizers	Microporous. lets the wood breathe and prevents the natural deformation of wood	Easy maintenance. No sanding or stripping is necessary for the application of the new layers	Giving a protective barrier against fungus and mold	Protects against moisture, rain and waterproofs

## Panels

**HDPE:** Monocolour/bicolour high density polyethylene. It is a polymer so it is characterized by its resistance to corrosion and chemical products. By its capacity of elasticity and lightweight, it offers high resistance to impacts, and, therefore, very difficult to break. The non-slip surface offers security to children and the synthetic base prevents grow of bacterias and fungus. No need for maintenance;

**Acrylic:** composed of 70% of conifers fibers and 30% thermosetting resin, weather resistant (sun, rain, humidity, etc.);

**Marine plywood:** Non-slip, bonded with phenolic resins resistant to the weather and U.V., according to EL 314-2/classe 3 (DIN 68 TS TCIL3: BFU 100, BS 6566 PART 8 : WBP);

## Plastic parts

**Slide:** High density polyethylene, resistant to U.V., high resistance to rupture and high security;

**Fixation System:** Allow its placing on the ground avoiding the wood to come into direct contact with the soil. The bottom part of these fastening are anchored in the ground. Fabricated in galvanized steel;

**Type A - Standard fixation system** composed by steel base embedded in the ground with concrete;

**Type B - Standard fixation system** composed by steel base screwed to the ground with steel anchors;

**Type C - Standard fixation system** composed by posts applied directly in the ground with concrete;

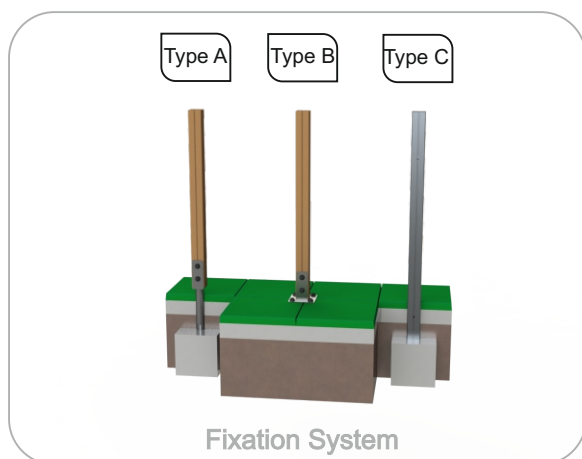
## Screws and accessories

**Screws:** Galvanized steel or optionally stainless steel AISI 304;

**Capsules:** PP Polypropylene plastic;



100% recyclable;



## Playful Activities:



**Amuse:** While they have fun, children acquire several capacities, since physical abilities to social interactions.



**Socialize:** The socialization and imagination are necessary in all games. All of it creates a relation between children and arouses the sense of coexistence and solidarity.



**Play:** Develops both patience, sharing and sportsmanship.



**Sliding:** A sloped surface allows the child to slide in great velocity, a sensation that makes him feel alive and learn to control his movements, reflexes and psychomotor abilities.