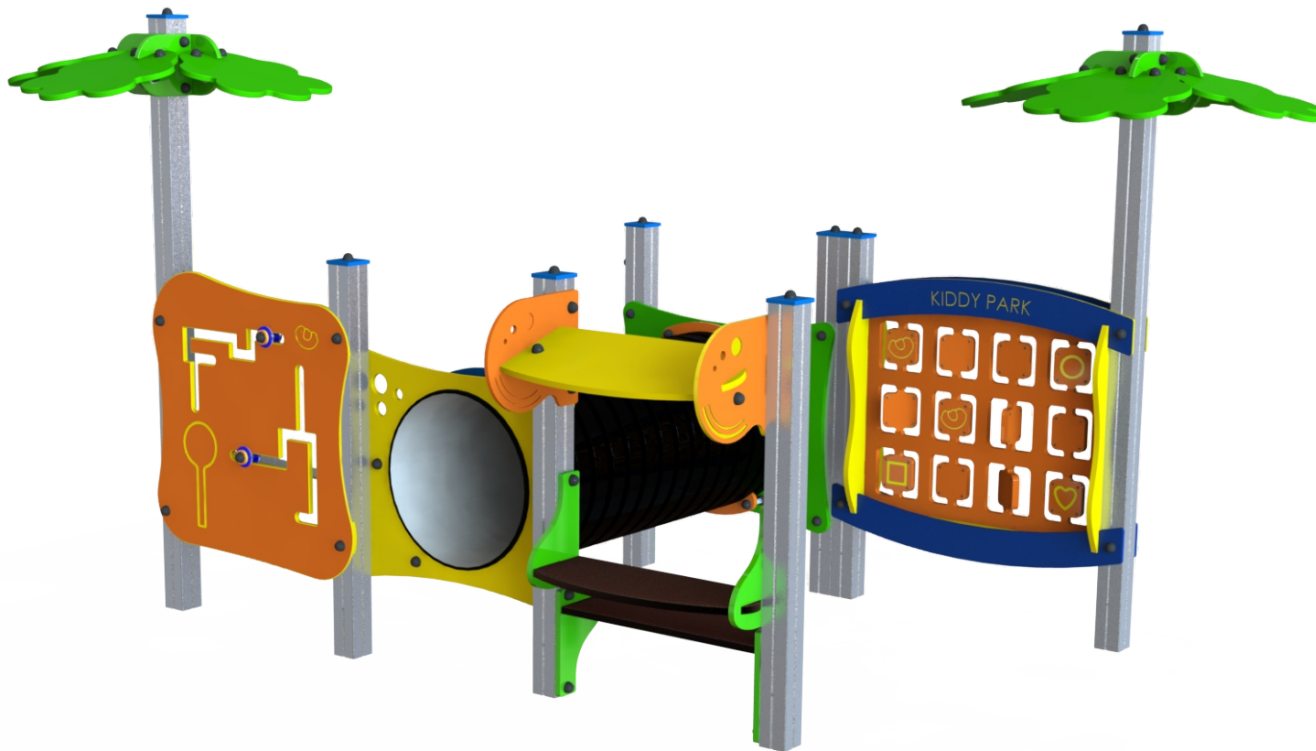
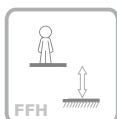


Dominó II

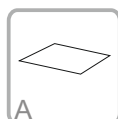
ref. ELKID010AL



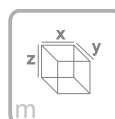
7 Users



0.60 m

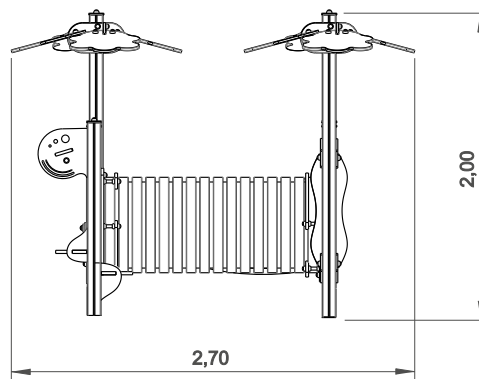
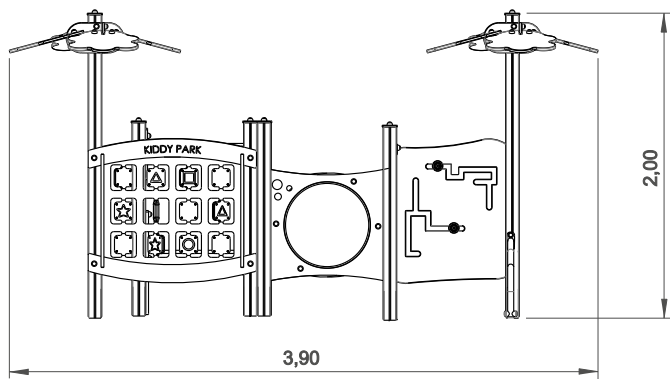


29 m2



x= 3.90
y= 2.70
z= 2.00

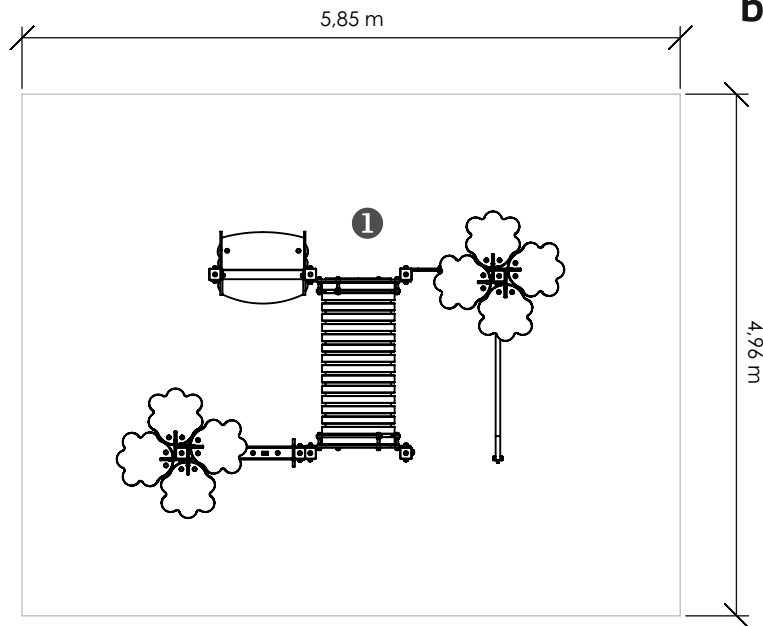
Data Sheet



Equipment Information:



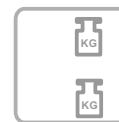
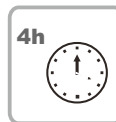
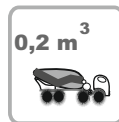
bragmaia®



— Impact area
 - - Free space

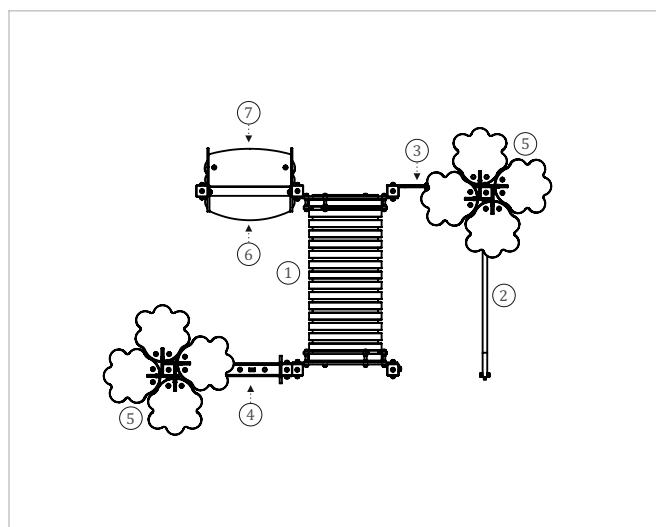
EN 1176-1,3

.....	①
	0,60
	29
	29



Technical Information:

- 1 - Tunnel 0.60m
- 2 - Handrail
- 3 - Maze Game
- 4 - Set of Shapes
- 5 - Tree
- 6 - Seat 0.40m
- 7 - Table 0.60m





bragmaia®

Technical Characteristics:

Vertical posts

Aluminum: 90x90x2.5mm profile alloy 6063 and T66 treatment, which is an alloy extrusion excellence, exhibits excellent corrosion resistance with good surface finish. The T66 treatment in which this alloy is solubilized, tempered and artificially aged, aims to improve its mechanical properties. This is supplied at natural color with the option of being lacquered RAL according to customer needs;

Panels

HDPE: Monocolour/bicolour high density polyethylene. It is a polymer so it is characterized by its resistance to corrosion and chemical products. By its capacity of elasticity and lightweight, it offers high resistance to impacts, and, therefore, very difficult to break. The non-slip surface offers security to children and the synthetic base prevents grow of bacterias and fungus. No need for maintenance;

Plastic parts

Tunnel: Made of polypropylene corrugated tube in conformity with EN 13476;

Metal parts

Tubes:

Stainless steel: AISI 304, Ø54mm;

Fixation System:

Type B - Standard fixation system composed by steel base screwed to the ground with steel anchors;

Type C - Standard fixation system composed by posts applied directly in the ground with concrete;

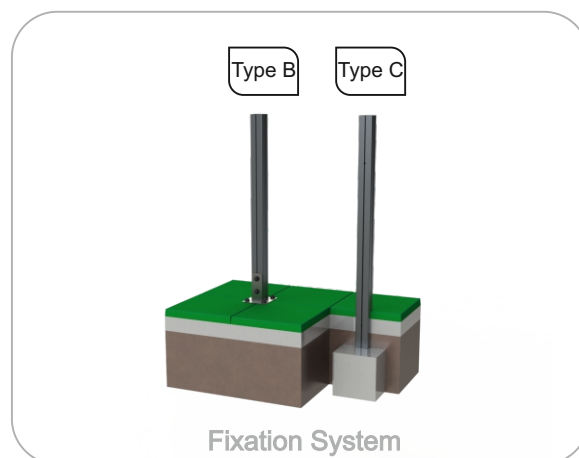
Screws and accessories

Screws: Galvanized steel or optionally stainless steel AISI 304;

Capsules: PP Polypropylene plastic;



100% recyclable;



Playful Activities:



Amuse: While they have fun, children acquire several capacities, since physical abilities to social interactions.



Socialize: The socialization and imagination are necessary in all games. All of it creates a relation between children and arouses the sense of coexistence and solidarity.



Play: Develops both patience, sharing and sportsmanship.