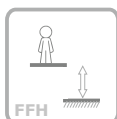


Terra

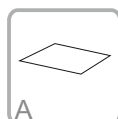
ref. ELUNI017



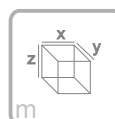
3-14 Years



1.30 m

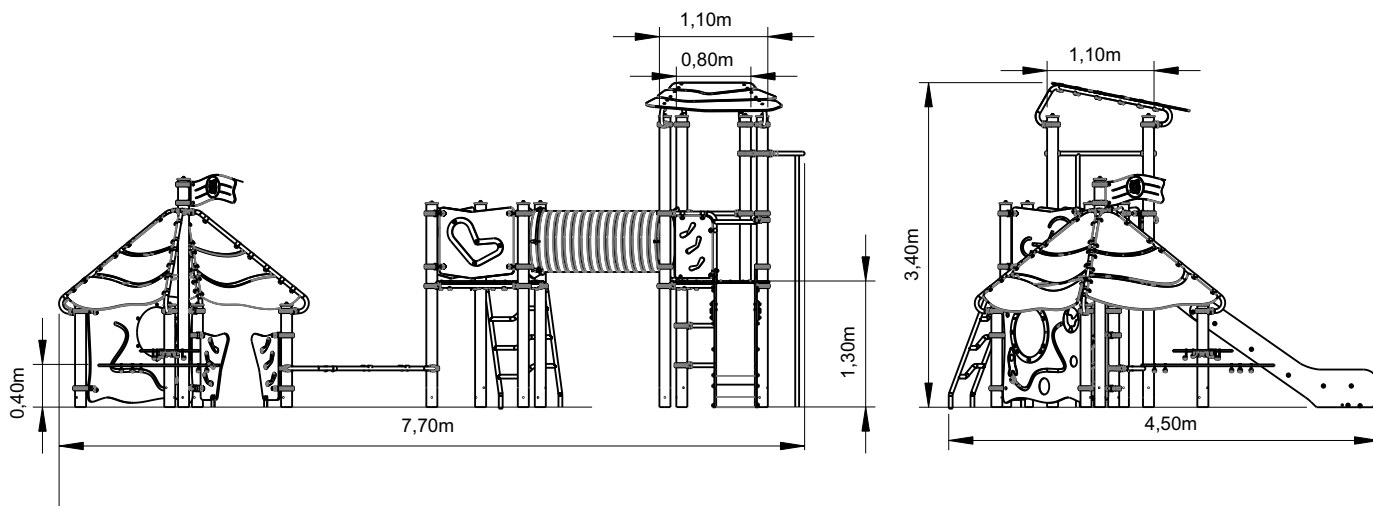


64 m²



x= 7.70
y= 4.50
z= 3.40

Data Sheet



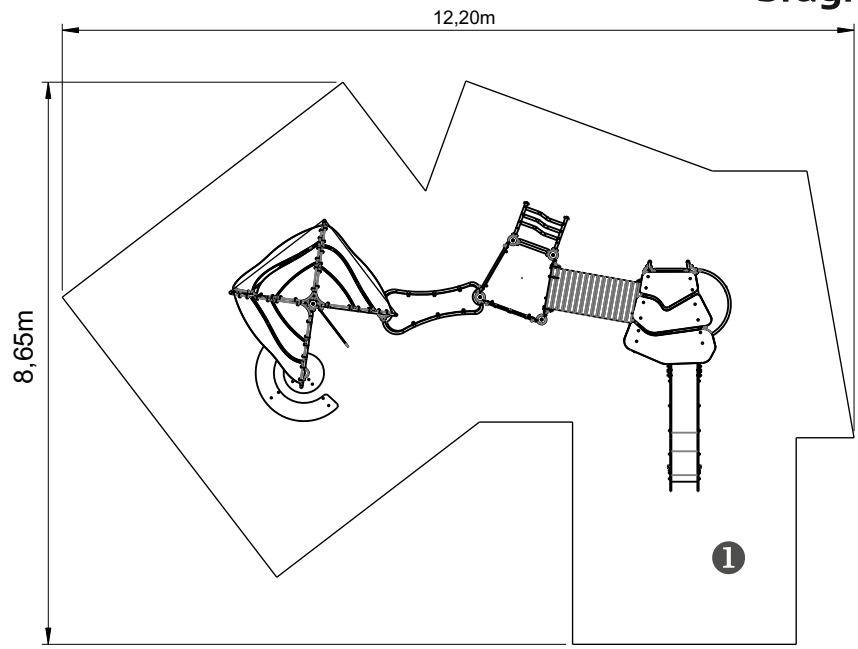
Use of the equipment under controlled conditions;
Safety zone: Minimum area required by EN 1176-1,3;

GB.047.01

Equipment Information:



bragmaia®



— Impact area
- - Free space

EN 1176-1,3

.....	①
	1,30
	64
	64

1,80 m³

12h

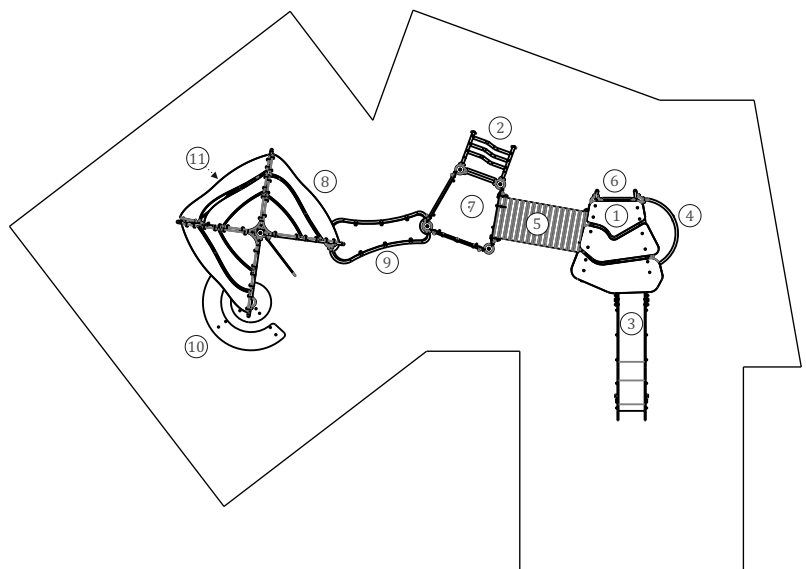
2x

KG

KG

Technical Information:

- 1 - Solar tower 1.30m
- 2 - Solar ladder 1.30m
- 3 - Stainless slide 1.30m
- 4 - Fireman rod 1.40m
- 5 - Solar tunnel 1.40m
- 6 - Ladder 1.40m
- 7 - Earth tower 1.40m
- 8 - Space house 0.45m
- 9 - Space seat 0.45m
- 10 - Table/seat 0.45m
- 11 - Playful panel





bragmaia®

Technical Characteristics:

Panels

HDPE: Monocolour/bicolour high density polyethylene. It is a polymer so it is characterized by its resistance to corrosion and chemical products. By its capacity of elasticity and lightweight, it offers high resistance to impacts, and, therefore, very difficult to break. The non-slip surface offers security to children and the synthetic base prevents grow of bacterias and fungus. No need for maintenance;

Acrylic: composed of 70% of conifers fibers and 30% thermosetting resin, weather resistant (sun, rain, humidity, etc.);

Plastic parts

Tunnel: Made of polypropylene corrugated tube in conformity with EN 13476;

Metal parts

Sliding surface: Stainless steel plate AISI 304, bent and rolled from one piece;

Tubes:

Stainless steel: AISI 304, Ø40mm and Ø114mm;

Fixation System:

Type C - Standard fixation system composed by posts applied directly in the ground with concrete;

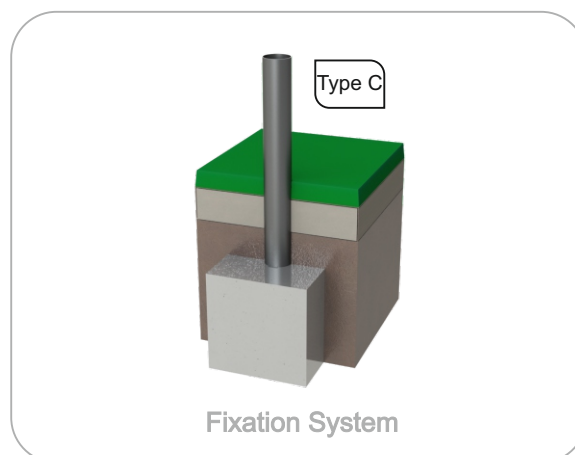
Screws and accessories

Screws: Galvanized steel or optionally stainless steel AISI 304;

Capsules: PP Polypropylene plastic;



100% recyclable;





bragmaia®

Playful Activities:



Amuse: While they have fun, children acquire several capacities, since physical abilities to social interactions.



Socialize: The socialization and imagination are necessary in all games. All of it creates a relation between children and arouses the sense of coexistence and solidarity.



Play: Develops both patience, sharing and sportsmanship.



Sliding: A sloped surface allows the child to slide in great velocity, a sensation that makes him feel alive and learn to control his movements, reflexes and psychomotor abilities.



Glide: This activity provides a fascinating feeling which helps to develop balance and coordination by stimulating the nervous system.