

FAZ20300

Suspension Trainer, Parallel Bars & Magnetic Bells Link



The Parallel Bars are suitable for beginners who want to learn how to do dips. They can start with leaning push-ups against the bar, and can later move on to actual dips, which can initially be made easier by resting the feet on the additional bars. An innovative magnetic breaking system in the Magnetic Bells allow the user to increase the resistance by increasing the speed of movement. The patented system also functions as brake when someone drops the magnetic bells and will reduce the impact significantly. The Magnetic bells move freely up and down and can spin 360°. This allows the users to do exercises which are very similar to Medicine balls and Kettle Bell exercises.

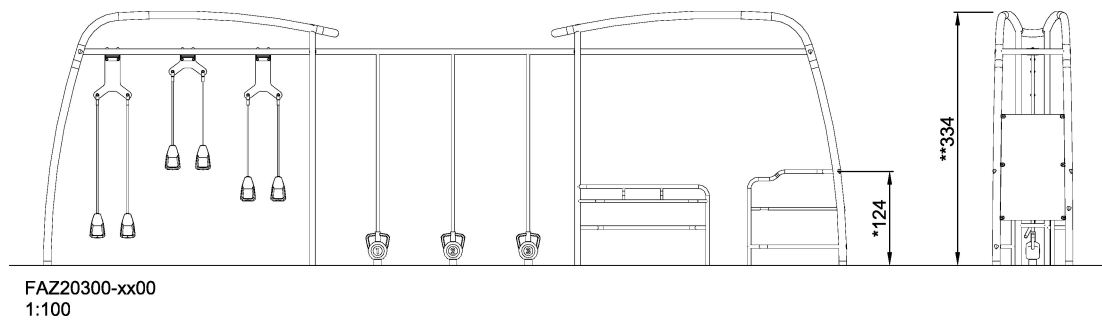
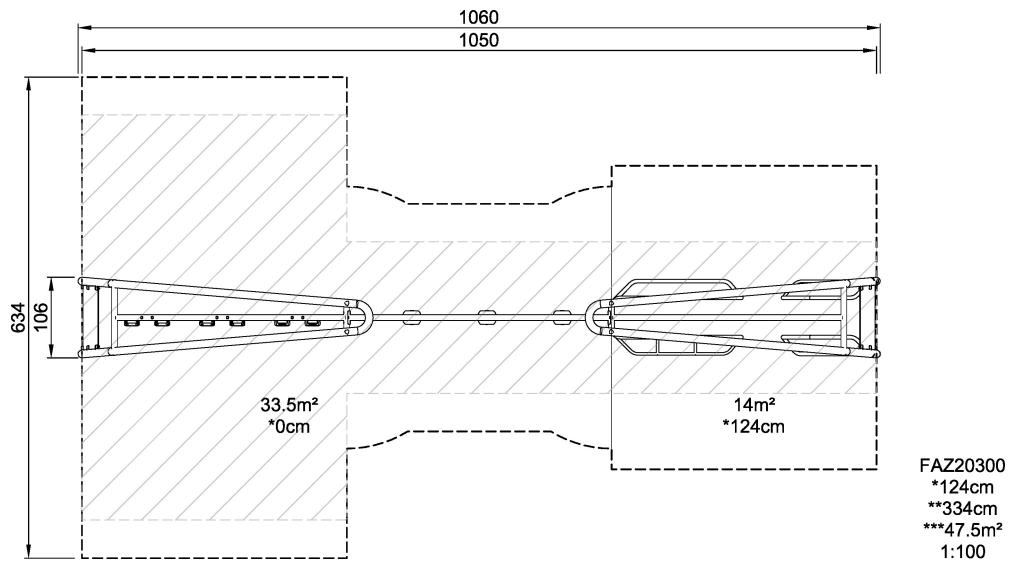
Product Line	Outdoor Fitness
Category	Cross Training
Age group	13+
Max. fall height (CM)	124
Total height (CM)	334
Safety Zone	47.5 m2



**SUR-
FACE**

**IN-
GROU.**





* = Highest designated play surface.
** = Total height of product.

Weight/heaviest parts	kg.	Installation (Manpower)	1 Persons
Concrete required	NaN m3	Installation (Hours)	19 Hours
Foundation amount/footing	NaN	Excavation	NaN m3