

FSW21801

Square Pull Up Station Pro

KOMPAN
Let's play



The Square Pull Up Station can be used in many ways and by multiple users at the same time. Exercises range from normal pull ups to the most dynamic and advanced exercises such as the Flying Monkey, where you fly from one bar to another. The Pull Up Bars are made from solid steel and have a diameter of 32 mm. An ideal size for both men and women to have a good grip. As the highest bar is connected at a height of 233 cm everyone will be able to hang freely, to make sure that everyone can reach the pull up bars we added 2 stepping pods at different heights.

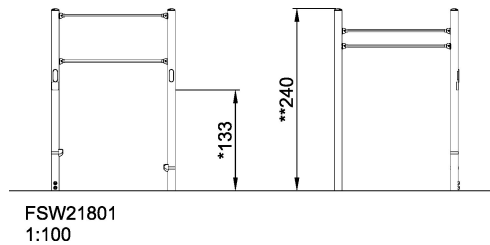
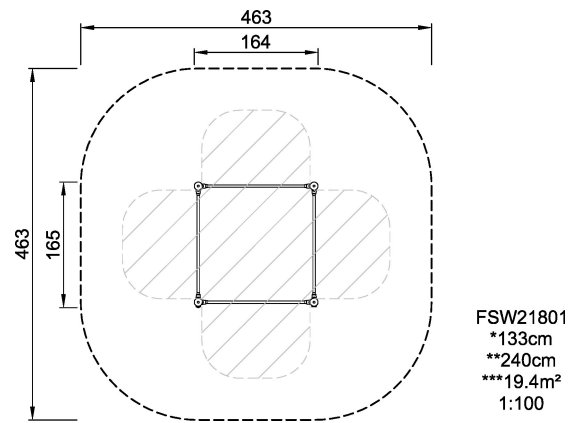
Product Line	Outdoor Fitness
Category	Street Workout & Calisthenics
Age group	13+
Max. fall height (CM)	133
Total height (CM)	240
Safety Zone	19.4 m ²



**SUR-
FACE**

**IN-
GROU.**





* = Highest designated play surface.
** = Total height of product.

Weight/heaviest parts	kg.	Installation (Manpower)	Persons
Concrete required	NaN m ³	Installation (Hours)	Hours
Foundation amount/footing	NaN	Excavation	NaN m ³