

Stretches

ref. G28011



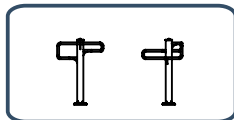
www.bragmaia.com



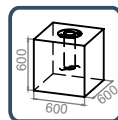
Data Sheet



3 Users

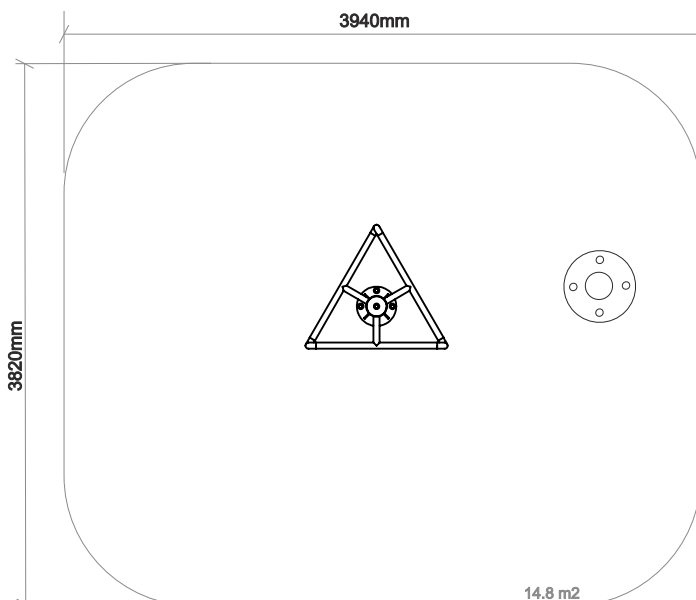


940x820x1330mm



Mode of Fixation

Security Area:



Technical Characteristics:

Materials

Structure: Stainless Steel AISI 304;

Plastic parts: HDPE;

Ironmongery: Stainless Steel AISI 304;

Finishing: Brushed;

Type of Fixation: by 1 negative provided;

Optional: Stainless Steel AISI 316;

Note: You must ensure that the equipment is correctly installed at the negative. Align the drilling equipment before drilling negative as illustrated by picture.

Maintenance

Every week: carry out a visual check on the general state of the element to make sure there are no breakages or damages to endanger users;

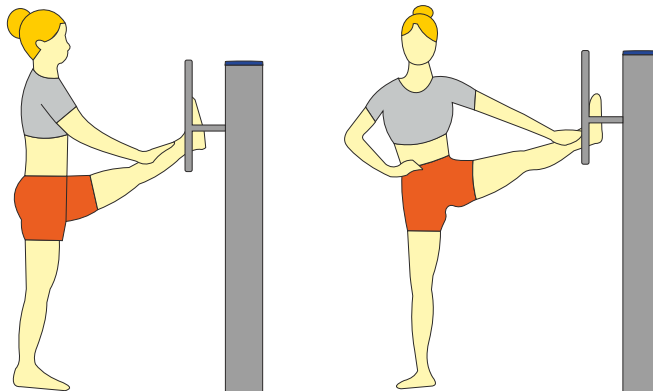
Every month: check that the joints move smoothly. Grease them if necessary. Ensure that the element is as structurally stable as when it was new. Check the state of all the screws, bolts and their protection;

Every year: check there is no corrosion on the metal legs. Check all ground fixings;

STRETCHES



Ref.:
G28011



+12



3 Users

EXECUTION MODE: Right leg or left leg lifted and placed on the bar, body leaning forward, recovery.



Caution: Consult your doctor before performing these exercises. Children should be supervised by an adult.



Bragmaia: Zona Industrial das Cantarias, Rua Arq.º Viana Lima, lote 131, 5300-427 Bragança - Portugal