

GXY8014 Spica 1



The quirky shapes, toothy top and triangle platform invite the curious 6-12 year olds to investigate the Spica. The rotating moment of the Spica is at the center. It takes exploration to reach the point of total mastery of spinning. The curved pole invites holding onto and the child figures out that leaning into the pole means intense spinning speed, leaning out means slowing down speed. This will appeal and make play go on and on, even with children hanging in their arms. Getting to master the rotation element stimulates the cognitive skills of the child, in particular the logical thinking. The agility, balance and coordination are intensively trained as the Spica invites different body positions when spinning. The triangular shape of the seat allows room for up to three children, stimulating the social skills of cooperation and turn-taking.

Product Line	Traditional Play
Category	Supernova, carousels & spinners
Age group	6 - 12
Max. fall height (CM)	100
Total height (CM)	169
Safety Zone	9.7 m ²



SPIN



SOCIALIZE



CONSTRUCT



INCLUSIVE

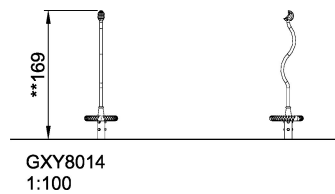
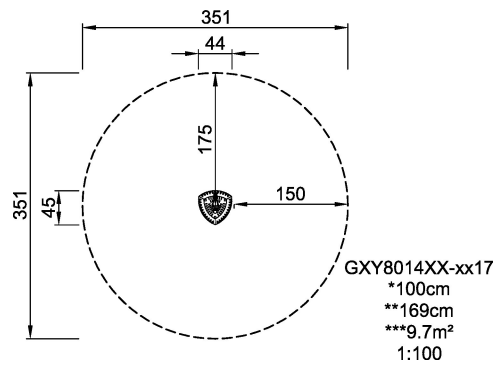


SUR-
FACE



ADA / INCLUSIVE

ASTM



* = Highest designated play surface.
** = Total height of product.

Weight/heaviest parts	kg.	Installation (Manpower)	Persons
Concrete required	NaN m ³	Installation (Hours)	Hours
Foundation amount/footing	NaN	Excavation	NaN m ³