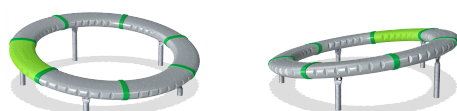
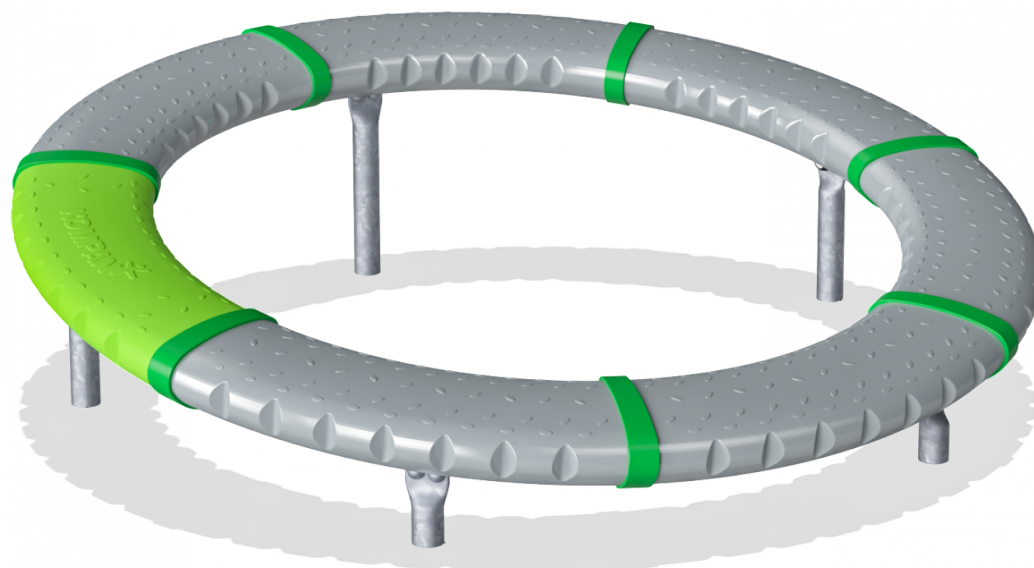


GXY916 Supernova



The large, slanting, rotating ring with 7 divided areas hugely motivate children to explore Supernova's countless play options: turning, spinning, balancing ? seated, lying, standing, alone or with friends. The 7 areas of the ring inspire a multitude of different games-with-rules. The many play opportunities and the open ground level design makes it possible for all abilities to be included in play. Rough-and-tumble play is on, and the pushing of the ring and running train the children's arm and leg muscles and cardio. The jumping on and off the rotating ring builds bone density. The Supernova trains the sense of balance and space, crucial in being able to sit still or navigate traffic safely. Children help one another and invent games. These stimulate the child's social-emotional skills and cognition, empathy, cooperation skills and logical thinking.

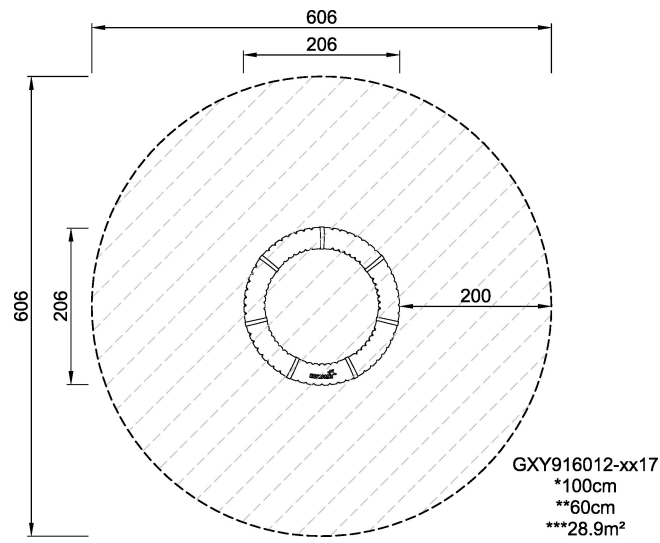
| | |
|------------------------------|---------------------------------|
| Product Line | Traditional Play |
| Category | Supernova, carousels & spinners |
| Age group | 6 - 15 |
| Max. fall height (CM) | 100 |
| Total height (CM) | 60 |
| Safety Zone | 28.9 m2 |



INCLUSIVE



**SUR-
FACE**



* = Highest designated play surface.
** = Total height of product.

| | | | |
|----------------------------------|--------------------|--------------------------------|--------------------|
| Weight/heaviest parts | kg. | Installation (Manpower) | Persons |
| Concrete required | NaN m ³ | Installation (Hours) | Hours |
| Foundation amount/footing | NaN | Excavation | NaN m ³ |