

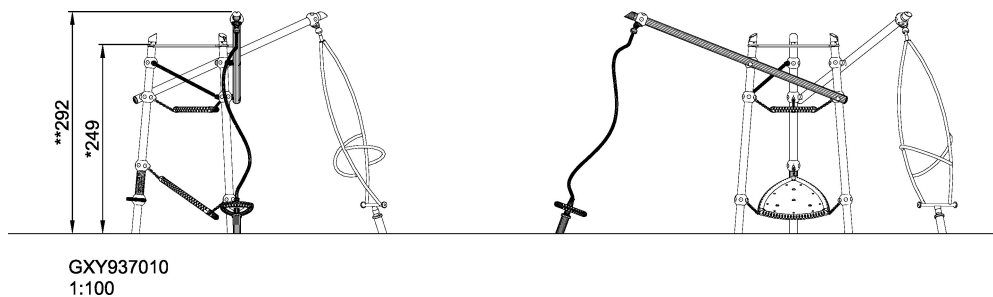
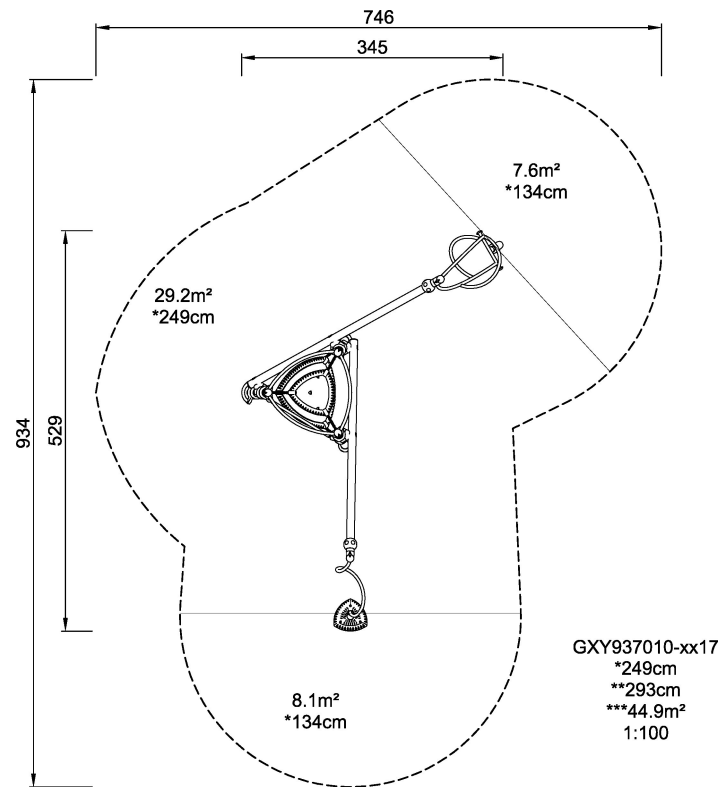


A spacecraft with a multifunctional core. The Play Shell is easily accessed from ground level, provides a place to sit, lay or climb on and to watch the others or have a rest. The spinners give room for groups of 'pilots' for a fast spin or a peaceful rotation. The Satellite Spinner with the curved bar is speeding up or slowly turning, according to the wish or skillfulness of the users. Two children standing on the tilting platform have to act in total coordination to create a good spin. The Musca Spinner provides another rotation event where one child or a group can involve the whole body to create a spin. The spinning move forces the children to gather themselves and regain control - a physical, social and emotionally valuable experience.

Product Line	Urban climbing
Category	GALAXY™
Age group	6 - 15
Max. fall height (CM)	249
Total height (CM)	293
Safety Zone	44.9 m2



**SUR-
FACE**



* = Highest designated play surface.
** = Total height of product.

Weight/heaviest parts	kg.	Installation (Manpower)	Persons
Concrete required	NaN m3	Installation (Hours)	Hours
Foundation amount/footing	NaN	Excavation	NaN m3