

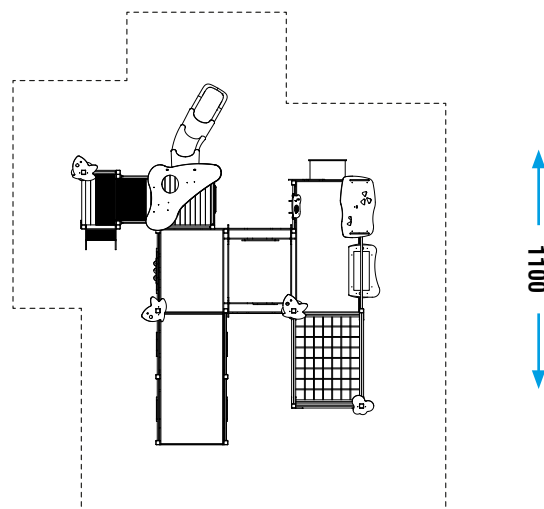


<b>CATALOG COLLECTION</b>	LET'S PLAY TOGETHER
<b>DIMENSIONS (L x W x H) in cm</b>	680 x 790 x 340
<b>MAXIMUM CFH</b>	120
<b>IMPACT ATTENUATING SURFACE</b>	min. 87,00 m <sup>2</sup> - MAX 104,50 m <sup>2</sup>
<b>SUGGESTED AGE OF USE</b>	3 - 12

<b>COMPOSITION</b>	<ul style="list-style-type: none"> <li>- n°22 aluminium poles 9x9cm</li> <li>- n°6 aluminium decks</li> <li>- n°2 HDPE sheet roofs</li> <li>- n°2 metal guardpanels</li> <li>- n°1 HDPE sheet guardpanel</li> <li>- n°4 metal tubular and HDPE guardpanels</li> <li>- n°1 aluminium stairs</li> <li>- n°1 modular slide</li> <li>- n°5 HDPE sheet playpanels</li> <li>- n°1 HDPE sheet and aluminium sandbox</li> <li>- n°1 HDPE playpanel with PTE tube</li> <li>- n°5 HDPE sheet decorations</li> <li>- n°1 horizontal rope net fitness</li> </ul>
--------------------	--

**SECURITY AREA**

← 980 →



Make a proper security surface according to CFH. **Periodic maintenance is mandatory**, following manual supplied to customer.