

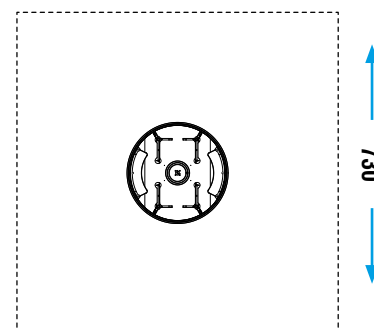


ROTATING



SECURITY AREA

730



CATALOG COLLECTION	LET'S PLAY TOGETHER
DIMENSIONS (L x W x H) in cm	Ø230 x 85
MAXIMUM CFH	- (grass is enough)
IMPACT ATTENUATING SURFACE	min. 56,25 m ² - MAX 56,25 m ²
SUGGESTED AGE OF USE	3 - 12

COMPOSITION

Aluminium treadplate sheet thickness 3+2mm with inspection window opening.
Powder coated steel tubular structure with 15 or 19mm HDPE sheet decorations and seatings. 19mm HDPE sheet central steering wheel.
Equipped with two central locations for wheelchair users and two lateral seatings with backrest for accompanists.
Every access is equipped with side guardpanels and two steel tubular barriers with bayonet locking system closing on the back of the user to avoid exit.
Equipped with a speed limiter.

H150 carousel is an inclusive equipment, designed for users on a wheelchair and also able bodied ones.

Once on deck, the wheelchair must be blocked with proper brakes. Spinning of carousel must begin having an ablebodied tutor seating inside equipment. For this equipment the presence of a supervisor of the whole area is mandatory to prevent improper use of equipment and its damage.

Make a proper security surface according to CFH. **Periodic maintenance is mandatory**, following manual supplied to customer.