



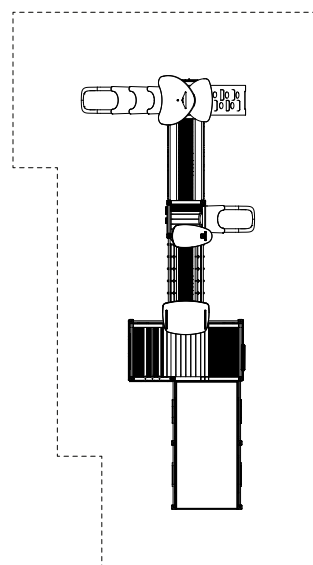
<b>CATALOG COLLECTION</b>	LET'S PLAY TOGETHER
<b>DIMENSIONS (L x W x H) in cm</b>	975 x 390 x 315
<b>MAXIMUM CFH</b>	110
<b>IMPACT ATTENUATING SURFACE</b>	min. 76,00 m <sup>2</sup> - MAX 87,50 m <sup>2</sup>
<b>SUGGESTED AGE OF USE</b>	3 - 12

**COMPOSITION**

- n°19 aluminium poles 9x9cm
- n°3 aluminium decks
- n°3 HDPE sheet roofs
- n°8 metal guardpanels
- n°1 HDPE sheet guardpanel
- n°1 aluminium ramp
- n°2 modular slides
- n°1 metal playpanel
- n°3 HDPE sheet playpanels
- n°1 HDPE sheet climbing
- n°1 rotating mold PTE climbing
- n°1 slope bridge
- n°1 ramp bridge with HDPE sidepanels

**SECURITY AREA**

690



Make a proper security surface according to CFH. **Periodic maintenance is mandatory**, following manual supplied to customer.