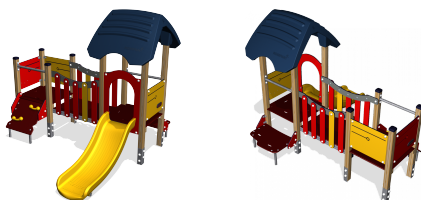


KPL201101

Two tower with panel bridge, wood posts & plastic slide

KOMPAN[®]
Let's play

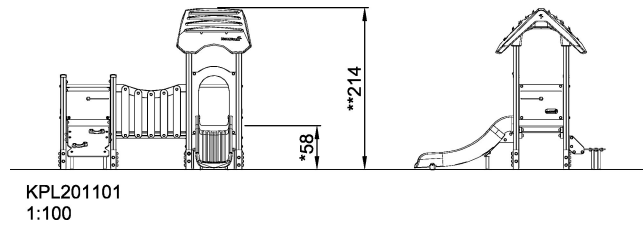
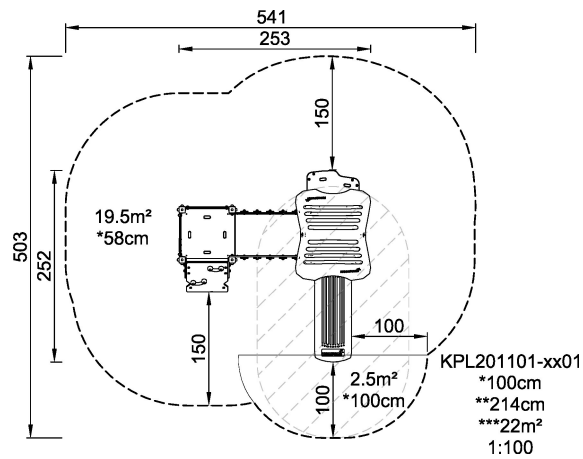


The slide – a popular activity among toddlers, who rejoice at the sensation of whizzing down the slide – will quickly become your playgrounds' primary attraction. Furthermore, the structure also includes a rock climber, offering an alternative access to the structure. All in all, this little play structure holds the perfect physical challenge for all toddlers, and the open structure invites caregivers and peers to join in.

Product Line	Traditional Play
Category	SIMPLY PLAY towers
Age group	1 - 4
Max. fall height (CM)	100
Total height (CM)	214
Safety Zone	22 m ²



IN-
GROU.



* = Highest designated play surface.
** = Total height of product.

Weight/heaviest parts	kg.	Installation (Manpower)	Persons
Concrete required	NaN m ³	Installation (Hours)	Hours
Foundation amount/footing	NaN	Excavation	NaN m ³