

KPL201301

Two tower with net bridge, wood posts & plastic slide

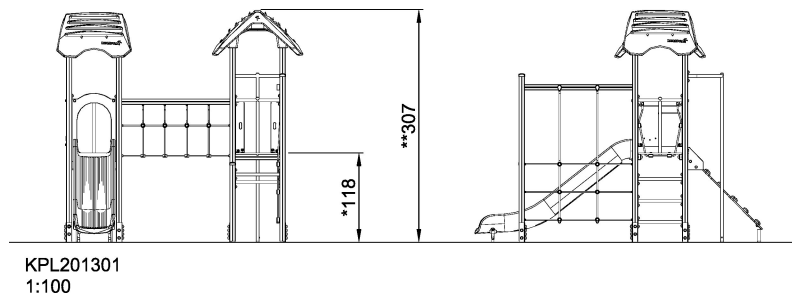
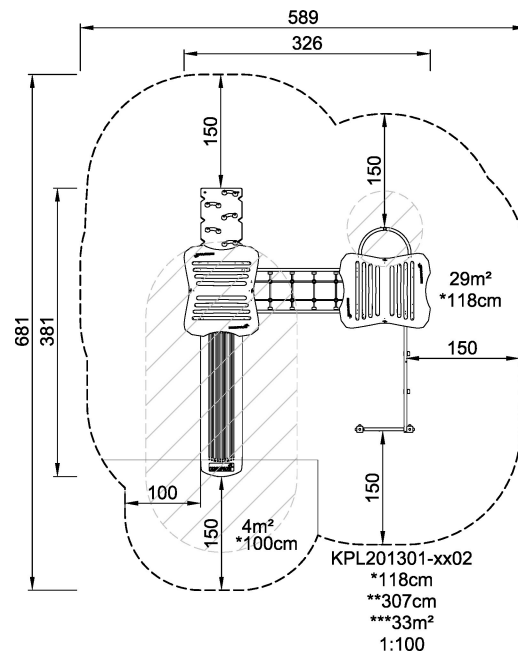


A variety of climbing and crawling activities are combined in this double play structure: an inclined climbing wall, sturdy steel rung ladder and a big meshed net that can be climbed through, which also allows room for a seated break. The two towers of the play structure are connected by an open, wobbly net bridge, which can be balanced over. Once on the two platforms a fun exit is provided by the using the fireman's pole or the slide.

Product Line	Traditional Play
Category	SIMPLY PLAY towers
Age group	2 - 6
Max. fall height (CM)	118
Total height (CM)	307
Safety Zone	33 m ²



**IN-
GROU.**



* = Highest designated play surface.
** = Total height of product.

Weight/heaviest parts	kg.	Installation (Manpower)	Persons
Concrete required	NaN m ³	Installation (Hours)	Hours
Foundation amount/footing	NaN	Excavation	NaN m ³