

KPL201402

Two tower with plank bridge, alu posts & banister bars

KOMPAN[®]
Let's play

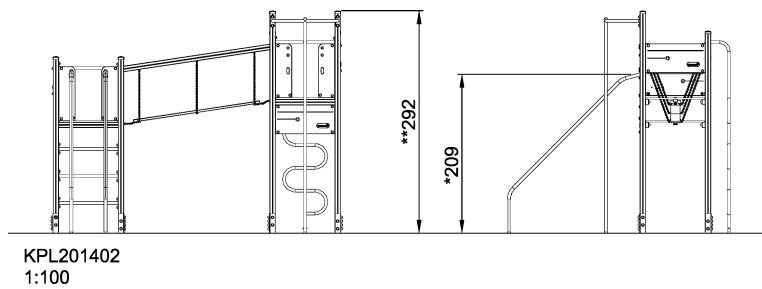
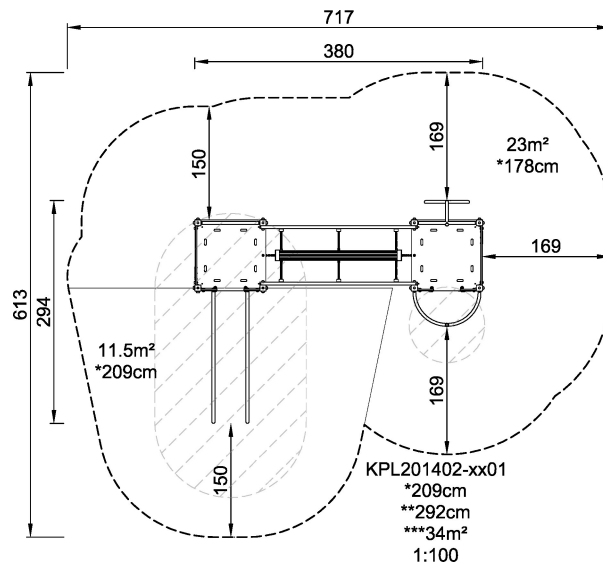


Climbing up, balancing over and sliding or gliding down again are all great eternal attractions for school age children. The child can take the way up to the two platforms via the sturdy steel rung ladder or the climbing pole. From the two platforms the dare devil fireman's pole or Banister Bars are the rewarding ways back to the ground. The two towers are bridged by a wobbly plank bridge that takes a lot of concentration and demands a good sense of balance.

Product Line	Traditional Play
Category	SIMPLY PLAY towers
Age group	6 - 12
Max. fall height (CM)	209
Total height (CM)	292
Safety Zone	34 m ²



IN-
GROU.



* = Highest designated play surface.

** = Total height of product.

Weight/heaviest parts	kg.	Installation (Manpower)	Persons
Concrete required	NaN m3	Installation (Hours)	Hours
Foundation amount/footing	NaN	Excavation	NaN m3