

**KPL201501**

# Two tower with net bridge, wood posts & plastic slide

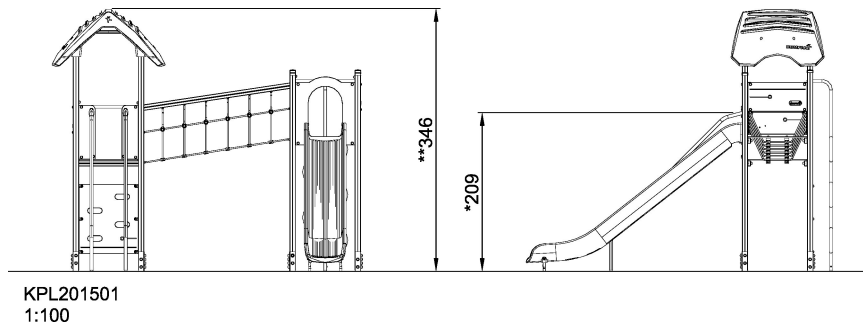
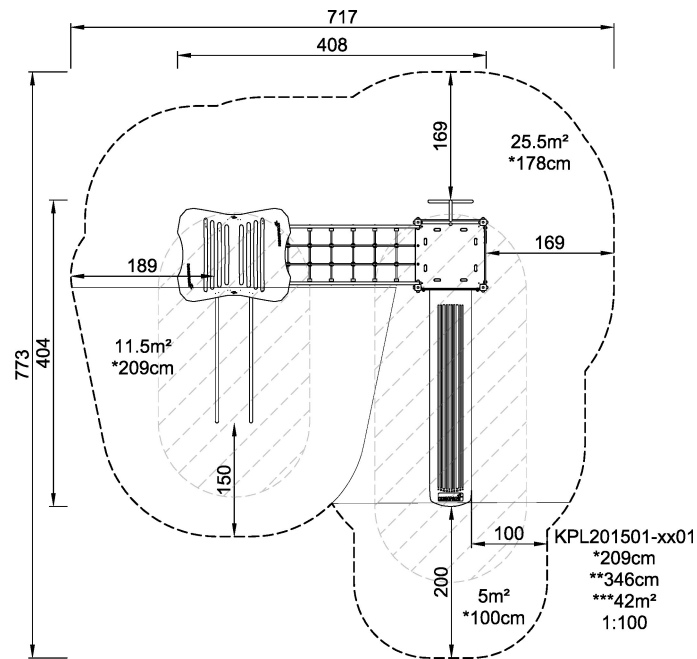


Children will never get bored with this double play tower. This unit offers a variety of physical challenges. The child can take the way up to the two platforms via the climbing wall with step holes or the climbing pole. From the two platforms a classic slide ride or a glide down the dare devil Banister Bars are fun ways back to the ground. The two towers are bridged by a wobbly plank bridge that takes a lot of concentration and demands a good sense of balance.

<b>Product Line</b>	Traditional Play
<b>Category</b>	SIMPLY PLAY towers
<b>Age group</b>	6 - 12
<b>Max. fall height (CM)</b>	209
<b>Total height (CM)</b>	346
<b>Safety Zone</b>	42 m <sup>2</sup>



**IN-  
GROU.**



\* = Highest designated play surface.  
\*\* = Total height of product.

<b>Weight/heaviest parts</b>	kg.	<b>Installation (Manpower)</b>	Persons
<b>Concrete required</b>	NaN m3	<b>Installation (Hours)</b>	Hours
<b>Foundation amount/footing</b>	NaN	<b>Excavation</b>	NaN m3