

KPL301001

# Three tower w/ net & bridge, wood posts & plastic slide

**KOMPAN**<sup>®</sup>  
Let's play

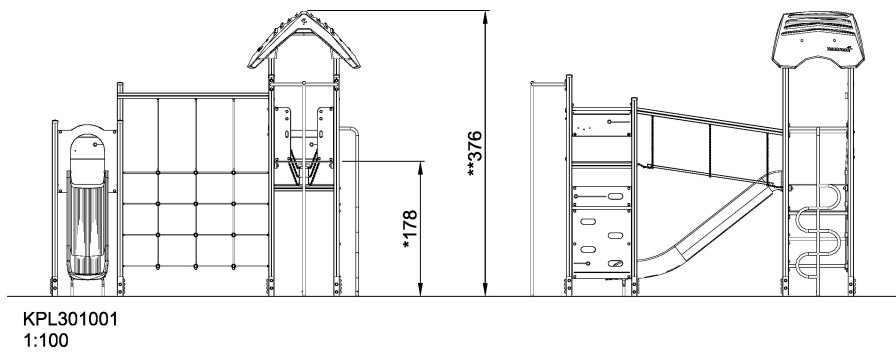
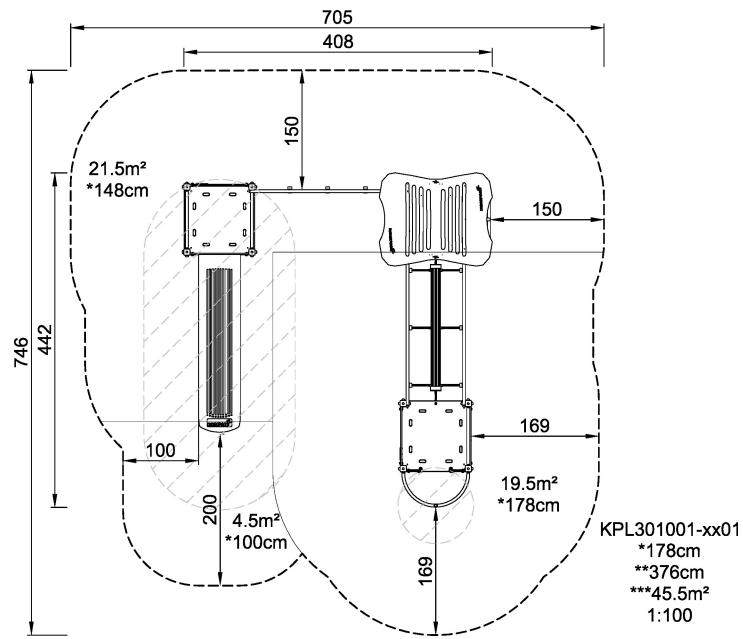


The three towers on this play structure offer each their level of difficulty in access climbing: the first tower is entered via a sturdy steel rung ladder, the middle tower takes quite some concentration with its climbing poles, and the highest tower is entered via the climbing wall. From the first tower a classic slide leads back to the ground or the big meshed net lead the child to the next platform. The meshes are big enough for climbing through or hanging in the knees from and allows for big movement climbing.

<b>Product Line</b>	Traditional Play
<b>Category</b>	SIMPLY PLAY towers
<b>Age group</b>	4 - 12
<b>Max. fall height (CM)</b>	178
<b>Total height (CM)</b>	376
<b>Safety Zone</b>	45.5 m <sup>2</sup>



IN-  
GROU.



\* = Highest designated play surface.  
\*\* = Total height of product.

<b>Weight/heaviest parts</b>	kg.	<b>Installation (Manpower)</b>	Persons
<b>Concrete required</b>	NaN m <sup>3</sup>	<b>Installation (Hours)</b>	Hours
<b>Foundation amount/footing</b>	NaN	<b>Excavation</b>	NaN m <sup>3</sup>