

KPL301002

Three tower w/ net & bridge, alu posts & full steel slide

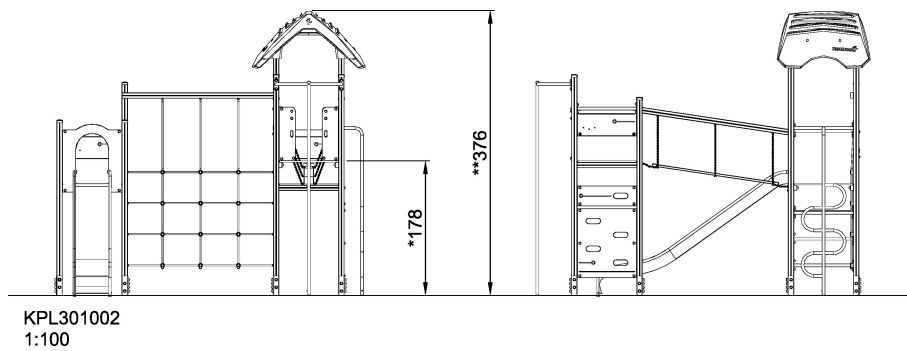
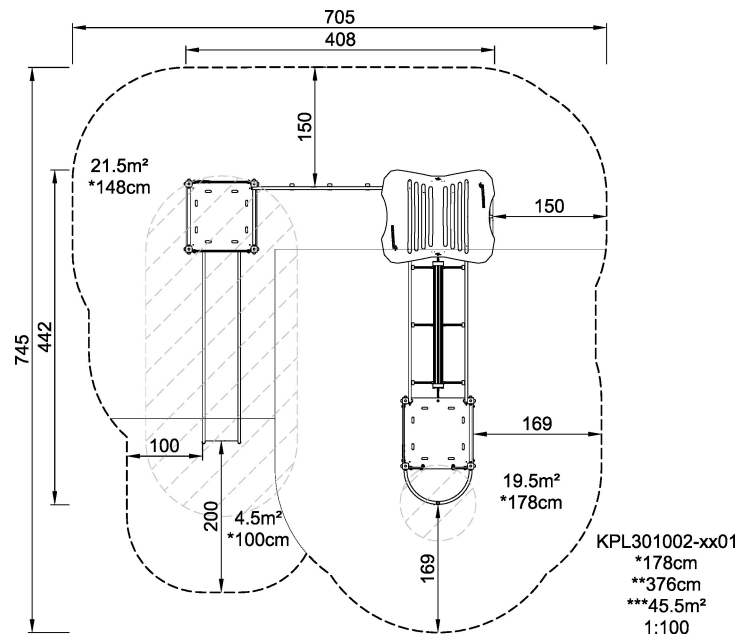


The three towers on this play structure offer each their level of difficulty in access climbing: the first tower is entered via a sturdy steel rung ladder, the middle tower takes quite some concentration with its climbing poles, and the highest tower is entered via the climbing wall. From the first tower a classic slide leads back to the ground or the big meshed net lead the child to the next platform. The meshes are big enough for climbing through or hanging in the knees from and allows for big movement climbing.

Product Line	Traditional Play
Category	SIMPLY PLAY towers
Age group	4 - 12
Max. fall height (CM)	178
Total height (CM)	376
Safety Zone	45.5 m2



**IN-
GROU.**



* = Highest designated play surface.
** = Total height of product.

Weight/heaviest parts	kg.	Installation (Manpower)	Persons
Concrete required	NaN m3	Installation (Hours)	Hours
Foundation amount/footing	NaN	Excavation	NaN m3