

**KPL304**

# Stainless Steel Slide, High

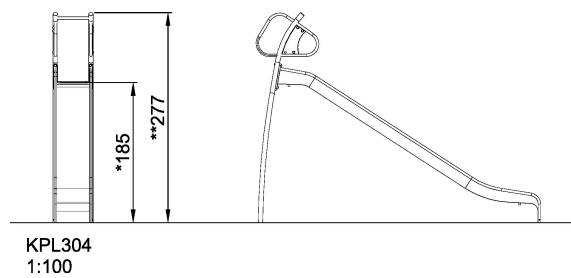
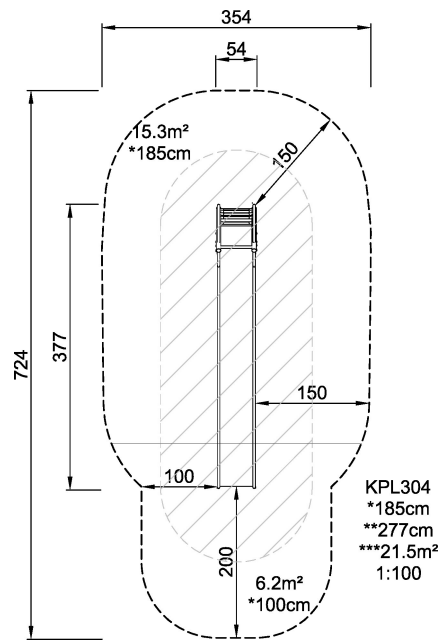
**KOMPAN**<sup>®</sup>  
Let's play



STEEL SLIDE H:180 - Full Stainless Steel Slide

|                              |                     |
|------------------------------|---------------------|
| <b>Product Line</b>          | Traditional Play    |
| <b>Category</b>              | Slides              |
| <b>Age group</b>             | 4+                  |
| <b>Max. fall height (CM)</b> | 185                 |
| <b>Total height (CM)</b>     | 277                 |
| <b>Safety Zone</b>           | 21.5 m <sup>2</sup> |





\* = Highest designated play surface.  
\*\* = Total height of product.

|                                  |        |                                |         |
|----------------------------------|--------|--------------------------------|---------|
| <b>Weight/heaviest parts</b>     | kg.    | <b>Installation (Manpower)</b> | Persons |
| <b>Concrete required</b>         | NaN m3 | <b>Installation (Hours)</b>    | Hours   |
| <b>Foundation amount/footing</b> | NaN    | <b>Excavation</b>              | NaN m3  |