

KSW90015-0906

# Double Swing Hardwood

**KOMPAN**  
Let's play

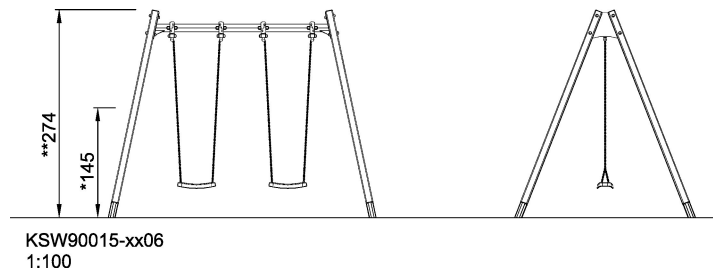
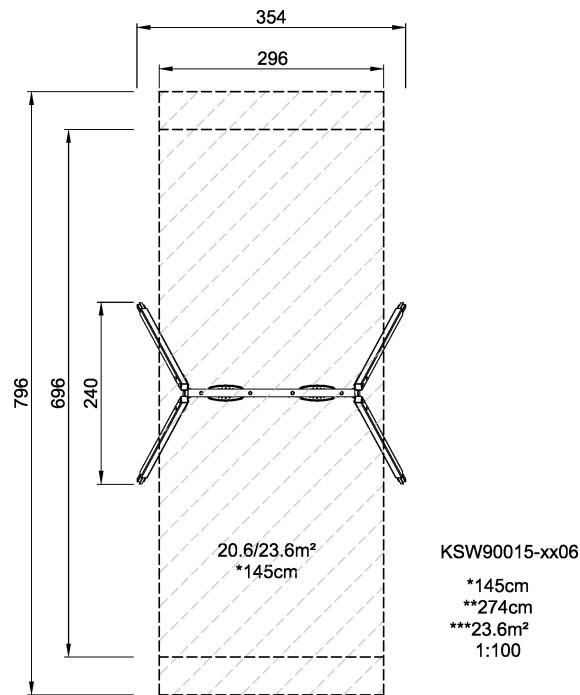


H=2.5m

<b>Product Line</b>	Freestanding Play Equipment
<b>Category</b>	Swings
<b>Age group</b>	3 - 10
<b>Max. fall height (CM)</b>	145
<b>Total height (CM)</b>	274
<b>Safety Zone</b>	23.3 m <sup>2</sup>



**SUR-  
FACE**



\* = Highest designated play surface.  
\*\* = Total height of product.

<b>Weight/heaviest parts</b>	kg.	<b>Installation (Manpower)</b>	Persons
<b>Concrete required</b>	NaN m <sup>3</sup>	<b>Installation (Hours)</b>	Hours
<b>Foundation amount/footing</b>	NaN	<b>Excavation</b>	NaN m <sup>3</sup>