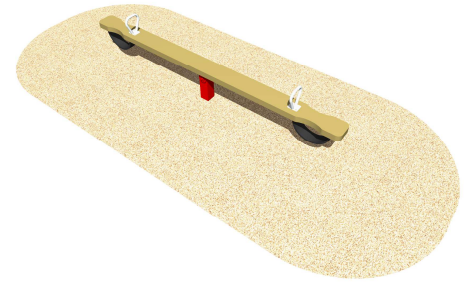
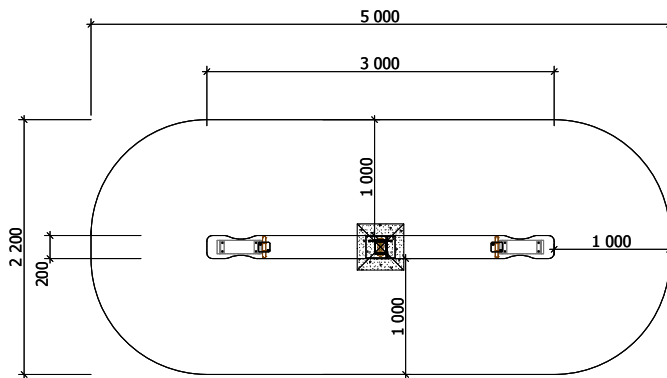


Construction are made from glued wood, galvanized steel and HDPE.



Minimal required area - 10 m²

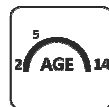
Length: 3 000 mm
Width: 200 mm
Height: 660 mm

Playground are provided for outdoor use in supervising of adults

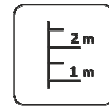
Length of safety area: 5 000 mm
Width of safety area: 2 200 mm
Required safety area: 10 m²



2 children



Children from 2 - 14 years



The Fall height H=1.000 m



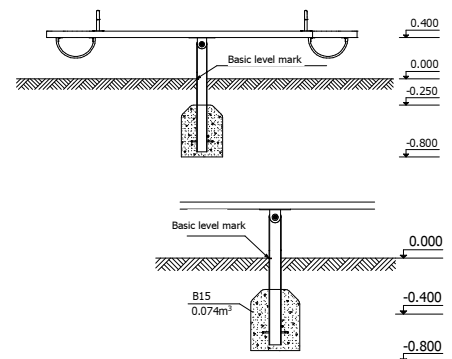
Weight 143 kg



Assembly 1.5 h (without excavation and concreting)

Equipment safety checkings must be performed once in a week in high vandalism risk areas.

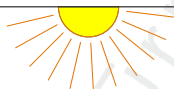
Maintenance are required once in every 3 months, depending on usage



Play equipment are established with concreted steel foundation in equipment location. Equipment are suitable for use in two days after concreting, when the foundation are totally solid. During assembling there are not children allowed in area.

Adequate temperature

T_{min} -33.2 °C
T_{max} +64.1 °C



Snow load

Small

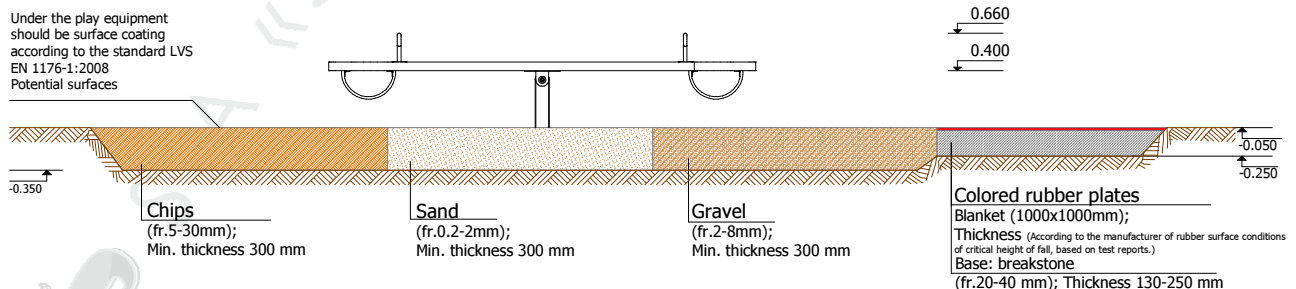


Wing load

Small



Under the play equipment should be surface coating according to the standard LVS EN 1176-1:2008 Potential surfaces



Transportation: One pack: 1 pack of 3 000 x 500 x 500 mm

Spare parts: All needed spare parts and elements, when warranty time expires can be ordered in „Jūrmalas Mežaparki” Ltd, and all the goods will be ready for delivery in 3 days.