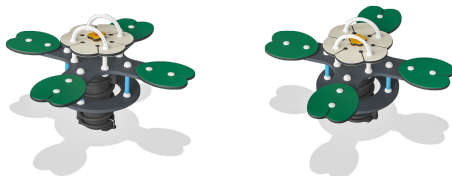


**M175**  
**Water Lilies**



The Water Lilies is all about working together. When all the seats are filled the children have to coordinate their movements if they want the Water Lilies to move, although two children can have an equally enjoyable ride as four. The Water Lilies is aimed at quite young children and features accordingly two solid easy-to-grip handles placed in the middle of the equipment.

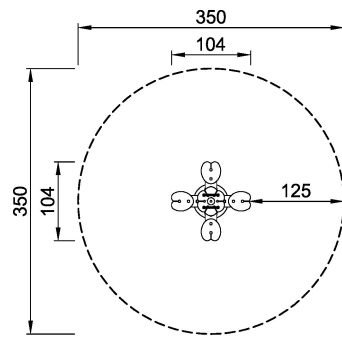
<b>Product Line</b>	Themed Play
<b>Category</b>	THE SMART PLAYGROUND™ (Digital)
<b>Age group</b>	2 - 6
<b>Max. fall height (CM)</b>	60
<b>Total height (CM)</b>	61
<b>Safety Zone</b>	9.6 m2



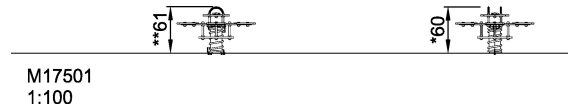
**SUR-  
FACE**



**ASTM**



M17501-xxP  
\*60cm  
\*\*61cm  
\*\*\*9.6m<sup>2</sup>  
1:100



\* = Highest designated play surface.  
\*\* = Total height of product.

<b>Weight/heaviest parts</b>	kg.	<b>Installation (Manpower)</b>	Persons
<b>Concrete required</b>	NaN m <sup>3</sup>	<b>Installation (Hours)</b>	Hours
<b>Foundation amount/footing</b>	NaN	<b>Excavation</b>	NaN m <sup>3</sup>