

Product Line	Traditional Play
Category	Tables & benches
Age group	1 - 8
Max. fall height (CM)	35
Total height (CM)	93
Safety Zone	13.8 m ²



INCLUSIVE

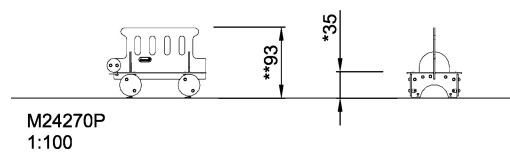
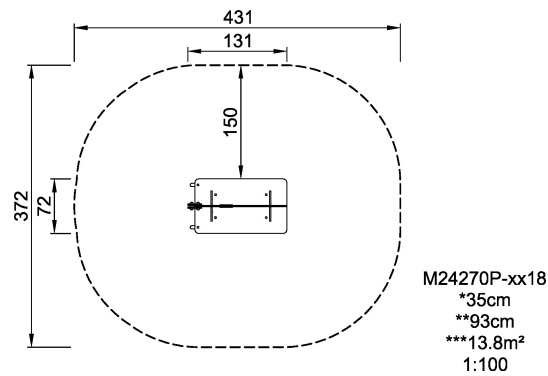


**SUR-
FACE**



ADA / INCLUSIVE

ASTM



* = Highest designated play surface.
** = Total height of product.

Weight/heaviest parts	kg.	Installation (Manpower)	Persons
Concrete required	NaN m ³	Installation (Hours)	Hours
Foundation amount/footing	NaN	Excavation	NaN m ³