

M351 Slide

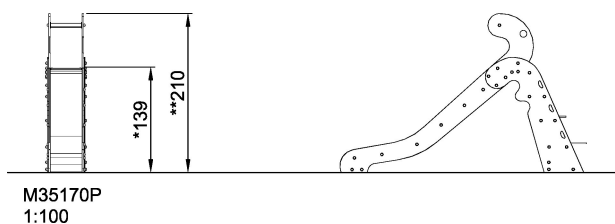
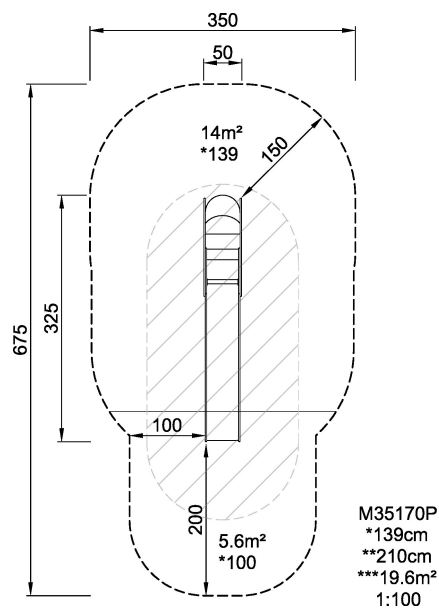


This is a slide for slightly older children who can experience that magical feeling in their stomachs as they rush down the slide chute. This KOMPAN item is almost 1.5 metres in height, which means that climbing up the steps poses a challenge in itself. However, this is not just for the brave and daring - the more careful youngsters will also feel confident playing on this slide, as it is equipped with wide steps, openings in the sides that act as handgrips, and tall side panels with handholds at the top.

Product Line	Traditional Play
Category	Slides
Age group	2 - 6
Max. fall height (CM)	139
Total height (CM)	210
Safety Zone	19.6 m ²



**SUR-
FACE**



* = Highest designated play surface.
** = Total height of product.

Weight/heaviest parts	kg.	Installation (Manpower)	Persons
Concrete required	NaN m3	Installation (Hours)	Hours
Foundation amount/footing	NaN	Excavation	NaN m3