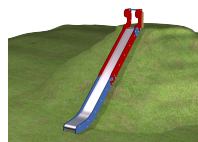
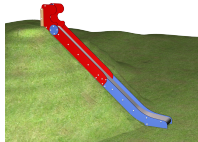


M385

Embankment Slide

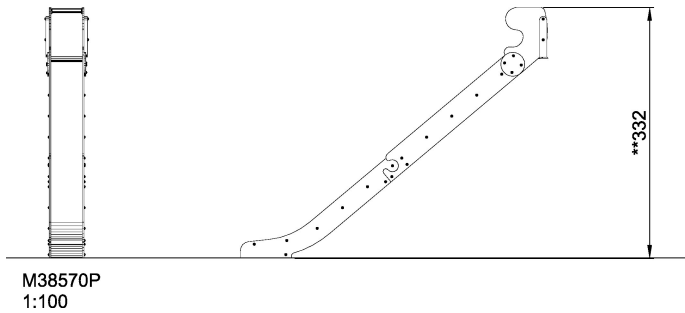
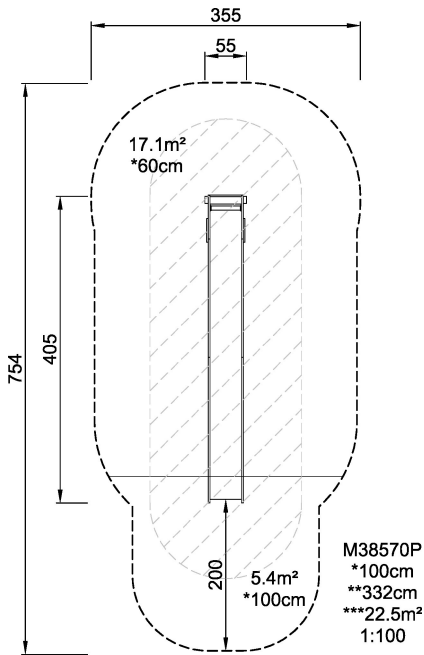


An ideal solution is to place the slide onto a slope or embankment. This effectively reduces the risk of falling, even on long slides. Fitted with a blue bar on top to make sure that only sliding children are allowed access.

Product Line	Traditional Play
Category	Slides
Age group	3 - 8
Max. fall height (CM)	100
Total height (CM)	200
Safety Zone	17 m ²



IN-
GROU.



* = Highest designated play surface.
** = Total height of product.

Weight/heaviest parts	kg.	Installation (Manpower)	Persons
Concrete required	NaN m3	Installation (Hours)	Hours
Foundation amount/footing	NaN	Excavation	NaN m3