

# M410 Toddler allotment house



Toddlers like to recognise well-known elements and be in familiar surroundings. Recognition and repetition helps support language development and stimulate curiosity, all helping to expand the vocabulary and the knowledge of the world, through play.

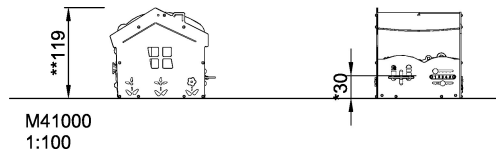
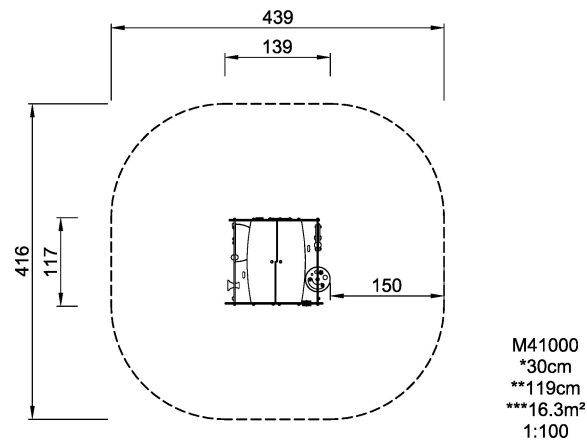
<b>Product Line</b>	Themed Play
<b>Category</b>	Toddler play
<b>Age group</b>	1 - 6
<b>Max. fall height (CM)</b>	30
<b>Total height (CM)</b>	119
<b>Safety Zone</b>	16.3 m <sup>2</sup>



SUR-  
FACE



ASTM



\* = Highest designated play surface.  
\*\* = Total height of product.

<b>Weight/heaviest parts</b>	kg.	<b>Installation (Manpower)</b>	Persons
<b>Concrete required</b>	NaN m3	<b>Installation (Hours)</b>	Hours
<b>Foundation amount/footing</b>	NaN	<b>Excavation</b>	NaN m3