

M535 Fire Engine



The shout of "fire! fire!" reaches the crew of the Fire Engine, and within minutes help is on its way. The Fire Engine is immediately manned with brave fire fighters, and the vehicle speeds along towards the fire with blue light flashing and sirens howling. There is room in the cab, on the running-board and in the Fire Engine for between 8 to 10 brave fire fighters. Additional features of movable knobs, handles, etc. offer endless hours of fun and excitement on this unforgettable play item from KOMPAN.

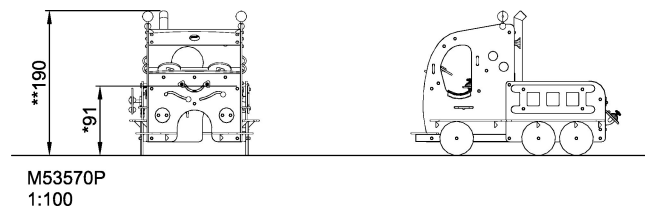
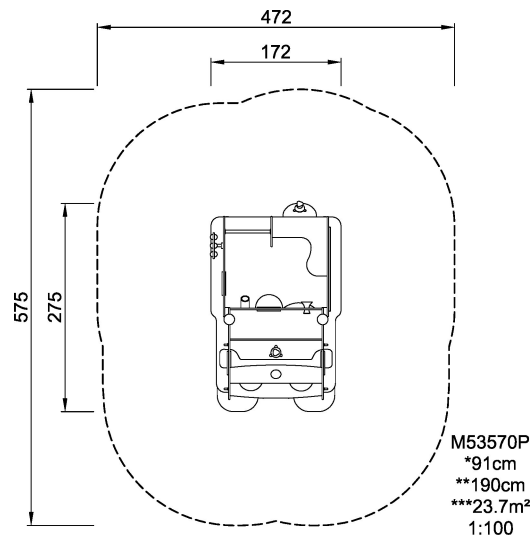
Product Line	Themed Play
Category	Vehicles & ships
Age group	2 - 6
Max. fall height (CM)91	
Total height (CM)	190
Safety Zone	23.7 m2



**SUR-
FACE**



ASTM



* = Highest designated play surface.
** = Total height of product.

Weight/heaviest parts	kg.	Installation (Manpower)	Persons
Concrete required	NaN m ³	Installation (Hours)	Hours
Foundation amount/footing	NaN	Excavation	NaN m ³